

NTC-4151/PP

Home | Security | IP Cameras | Standard

NTC-4151/PP
1/4" Network Day&Night Camera, 22x, 480TVL,
Housing, 12VDC

Art-Nr. 93158



Main Features

1/3" Super HAD Colour/B&W CCD Sensor
Sensitivity of 0.2Lux at F1.2 (Colour)
Digital Noise Reduction (DNR)
High and Low Speed Shutter Control (MES/ESC/DSS)
On-screen Menu Control / Camera Title Display
Privacy Masking/Mirror Function/Motion Detection

MPEG-4 Compression
Image Frame Rate: Up to 25 Fr./Sec. (720x576 Px.)
Viewer for Monitoring, Recording and Configuration
Pre and Post Event Recording (in Client PC)
Integrated Web Server: 10Base-T/100Base-TX
All-In-One: Camera / Lens / Housing IP66

Specifications

Series	eneo NT
System	day&night
Video standard	CCIR/PAL
Sensor size	1/4"
Imager	CCD, Sony Super HAD Interline Transfer
Synchronization	Line lock or internal
Genlock synchronization	-
Signal-to-noise ratio	52dB (AGC Off)
Switching-over colour/b&w	via menu
Signal processing	Digital (DSP)
Sensitivity (at 50% video signal)	0.13Lux (colour); 0.07Lux B&W at AGC High (Videor measurement result at F1.2)
Horizontal resolution	480 TVL
Active picture elements	470,000, 795(H) x 596(V)

NTC-4151/PP

(Continuation Specifications)

Gamma correction	0.45
Automatic gain control (AGC)	31dB max. (Off/Low/Mid/High selectable)
Automatic electronic shutter (ESC)	1/50 ~ 1/100,000sec.
Digital Noise Reduction (DNR)	yes
Low Speed Shutter	yes
Low speed shutter	OFF, Automatic: 2 ~128 fps.
Manual electronic shutter (MES)	1/50 ~ 1/100,000sec.
Aperture Correction (APC)	Horizontal and vertical
White balance	Automatic (AWB/ATW): 1800K ~10500K Manual: R-gain, B-gain, adjustable and lockable
Backlight compensation	BLC
Wide Dynamic Range (WDR)	no
Backlight compensation	OFF/Low/Mid/High selectable
Flickerless function	1/120sec., On/Off switchable
IR cut filter	switchable
Privacy Zone	On/Off switchable
Motion Detection Function	4 fields, ON/OFF switchable
Activity detection	yes
Text display	Camera title On/Off switchable
Camera ID	Via ID no. (alpha numeric 001~255)
Sharpness correction	0 ~31 ON/OFF switchable
Menu driven set-up	On/Off switchable
Picture adjustments	Color, Brightness, Contrast (via Network)
OSD function control	Colour/B&W, AGC, DNR, Mirror (hor.), BLC, White balance, AI/DC Iris, Sharpness, ESC/MES, Shutter speed, Flickerless, Privacy zones ON/OFF, Camera ID, Default/Preset
External adjustments	Menu, Cursor Up/Down/Left/Right, Flange focus
External connections	Video (BNC), Network (RJ-45), Power input (DC plug), Control cable and heater supply (open ends)
Video outputs	CVBS, 1Vp-p, CVBS or VBS, 75ohms, BNC
Audio support	no
Alarm inputs	no
Alarm processing	Built-in Motion Detection, Adjustable sensitivity and dwell time, E-Mail function
Internal storage	yes
System requirements	Windows 2000/XP, Intel Pentium IV 2GHz or higher, 512MB RAM or higher, Hard disk 80GB min., depend on recording demand
Compression standard	MPEG4, part 2 (ISO/IEC 14496-2), Profile: SP and ASP
Resolution max.	720 x 576
Resolution	Network: 720x576 (D1), 640x480, 320x240, 160x120 Px.
Image transm. rate max.	25 B./Sek.

NTC-4151/PP

(Continuation Specifications)

Frame rate	25 Frps. at 720x576 Px. (PAL)
Image display	Via Web Browser or Viewer Software
Ethernet interface	10Base-T, 100Base-TX, RJ-45
Web browser	MS Internet Explorer Vers. 6.0
Network protocols	TCP/IP, DHCP, HTTP, DNNS, UDP, RTP, RTSP, SMTP, FTP
Bandwidth	Adjustable
Lens type	zoom
Lens mount	integrated lens
Aspherical technology	yes
Focal length	3,9 mm - 85,8 mm
Digital Zoom	11x
Horizontal angle of view	50° - 2,46°
Exposure modes	Automatic or manual mode: Iris, Shutter and AGC. Automatic mode: Iris priority, Shutter priority
Iris control	DC, Auto iris (F1.6 ~F32), with manual override, Manual iris, Auto-Iris/DC controlled iris
MOD (Minimum object distance)	0,1-1 m
MOD (Minimum Object Distance)	Wide angle (x1 ~x4): 10cm Tele end (x5 ~x22): 1.0m. Adjustable to 0.1m, 1.0m, 1.5m, 2.5m and 6m
Filter screw size	M37x0.7mm
Pre-alarm recording	180sec. max.
Post-alarm recording	180sec. max.
Search function	Alarm/Event/Time searching
Serial interfaces	RS-232, RS-485, Protocols: eneo Fastrax EII and Pelco D&P
Configuration	Via WebBrowser, Built-in WebServer
Access	10 Users simultaneous support
Software upgrade	via Network Interface, incl. Viewer setup
Operation protection	Multilevel and Multiuser - Password protected
Password protection	yes
PTZ Support	no
Rotation range	90°
Supply voltage	12VDC
Power over Ethernet	no
Power consumption	9W
Temperature range (Operation)	-10°C ~+45°C
Colour (housing)	Pantone Cool Gray 1C
Housing material	Aluminium
Housing	Outdoor
Protection rating	IP66
Integrated wall mount	yes

NTC-4151/PP

(Continuation Specifications)

Hidden cable management	yes
Sunshield	yes
Window heater	yes, 12VDC / 220mA
Clear Shield	no
Dimensions (HxWxD)	see drawing
Weight	approx. 1.4kg
Parts supplied	Viewer software with recording capability, configuration and client CD-R
Management Software Support	NT-Manager, Zelarix IP, Aimetis - Symphony, NetAvis
Certificates	CE

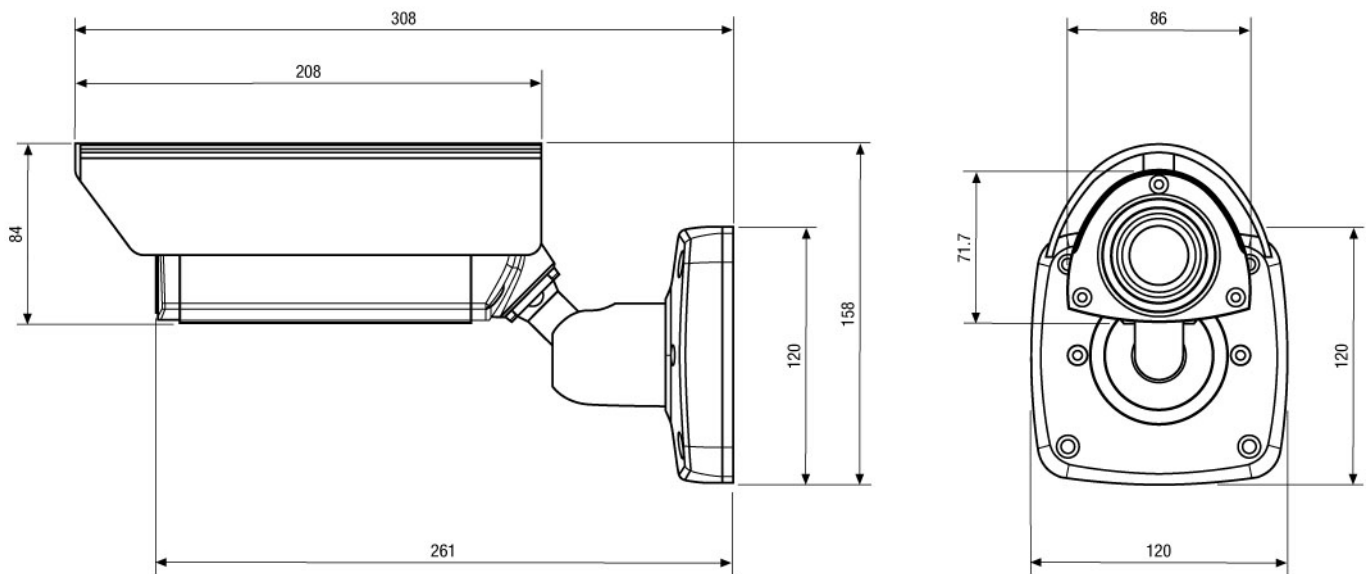
Optional accessories

70495	VT-PS12DC-7	Plugable PSU w. Cont. & UK Mains plug-in 100-240VAC/12VDC-1.25A, Regulated
-------	-------------	--

NTC-4151/PP

Home | Security | IP Cameras | Standard

Technical drawing



Maße/Dimensions: mm