

Video Security

Network Cameras | eneo Network Cameras NT Series

NTC-4101

1/4" Network D&N Colour Camera with 22x Zoom Lens, Removable IR CF, 12VDC, 480TVL

Art-No. 93153



Features

1/4" Super HAD Colour/B&W CCD Sensor
Integral 22x AF Zoom Lens / 11x Digital Zoom
Sensitivity of 0.45Lux at F1.2 (Colour)
Digital Noise Reduction (DNR)
High and Low Speed Shutter Control (MES/ESC/DSS)
On-screen Menu Control / Camera Title Display

MPEG-4 Compression
Image Frame Rate: Up to 25 Fr./Sec. (720x576 Px.)
Viewer for Monitoring, Recording and Configuration
Pre and Post Event Recording (in Client PC)
Integrated Web Server: 10Base-T/100Base-TX
E-mail Notification in Case of an Alarm

Specifications

System	day&night
Video standard	CCIR/PAL
Sensor size	1/4"
Imager	1/4" Sony Super HAD Interline Transfer CCD, CCD
Synchronization	Internal
Signal-to-noise ratio	52dB (AGC Off)
Signal processing	Digital (DSP)
Sensitivity (at 50% video signal)	0,45Lux, (colour); 0.24Lux (B&W). With 8x Low Speed Shutter, colour: 0.05Lux, b&w: 0.03Lux. Related to aperture F1.2 each
Active picture elements	Approx. 440,000 (H) 752 x (V) 582 pixels
Automatic gain control (AGC)	30dB max., ON/OFF switchable
Electronic shutter control (ESC)	1/50 ~ 1/10000sec., Automatic (starting from F22) and manual
Integration rate	yes
Low speed shutter (DSS)	1/30sec. ~ 1sec. (to 2, 4, 8, 16, 32 and 60 Fps. selectable)
Aperture Correction (APC)	Horizontal and vertical

(Specifications continued)

White balance	Automatic (AWB) selectable for indoor and outdoor, or manual. Wide range auto mode (WAWB)
Backlight compensation	BLC, On/Off switchable with adjustable field size
IR cut filter	yes, Motorized, switchable filter. Automatic function depend on the amount of light. In removed filter position, the colour signal, will be switched OFF
Activity detection	yes
Text display	Title, camera ID and status
Menu driven set-up	On/Off switchable
Picture adjustments	Color, Brightness, Contrast (via Network)
OSD function control	D&N, AGC, BLC, AWB, Iris, MOD, PIP, Freeze, Digital zoom, Digital noise reduction (DNR) ON/OFF. Mirror, Negativ/Positiv image. Digital image stabilization (DIS), Wide dynamic range (WDR) and Shutter mode
External adjustments	Menu: ON/OFF Focus near/far Lens T/W LL phase (for AC models only)
External connections	Video (BNC), Power input, Serial interface socket
Video outputs (type)	CVBS, VBS
Video outputs	1Vp-p, (C)VBS, 75ohms, BNC
Audio support	no
Alarm inputs	no
Alarm processing	Built-in Motion Detection, Adjustable sensitivity and dwell time, E-Mail function
Internal storage	yes
System requirements	Windows 2000/XP, Intel Pentium IV 2GHz or higher, 512MB RAM or higher, Hard disk 80GB min., depend on recording demand
Compression standard	MPEG4, part 2 (ISO/IEC 14496-2), Profile: SP and ASP
Resolution max.	720 x 576
Resolution	Network: 720x576 (D1), 640x480, 320x240, 160x120 Px.
Maximum image transmission rate	50HB/Sek.
Frame rate	25 Frps. at 720x576 Px. (PAL)
Image display	Via Web Browser or Viewer Software
Ethernet interface	10Base-T, 100Base-TX, RJ-45
Web browser	MS Internet Explorer Vers. 6.0
Network protocols	TCP/IP, DHCP, HTTP, DNS, UDP, RTP, RTSP, SMTP
Bandwidth	Adjustable
Lens type	zoom
Lens	F1.6 ~ F32/3.9 ~ 85.8mm
Lens mount	integrated lens
Application range	security
Nominal format size	1/4"
Aspherical technology	yes
Mount	n/a
Focal length	3,9-85,8mm
Digital Zoom	11x

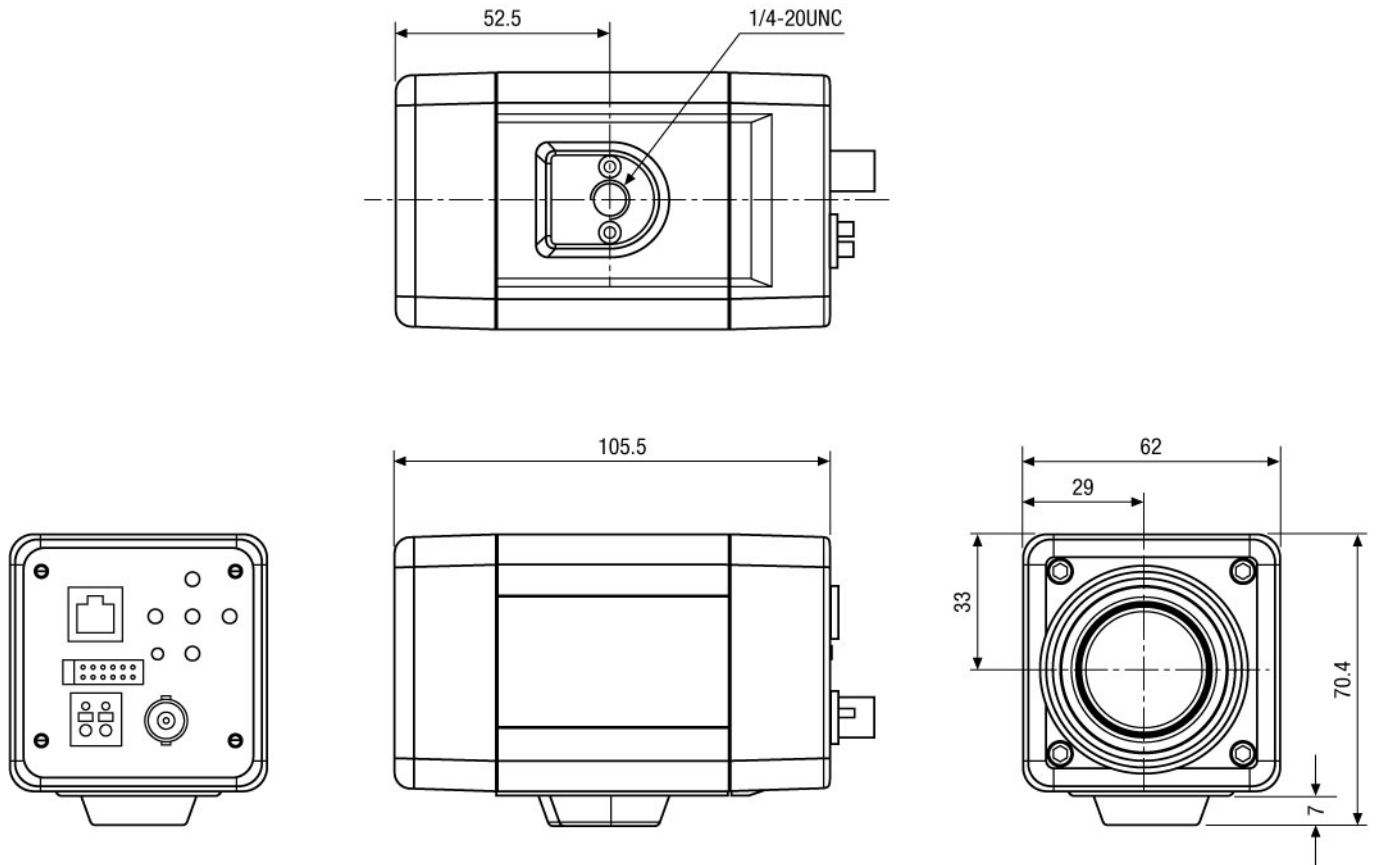
NTC-4101

(Specifications continued)

Horizontal angle of view	50-2,46°
Exposure modes	Automatic or manual mode: Iris, Shutter and AGC. Automatic mode: Iris priority, Shutter priority
Iris control	auto iris, Auto iris (F1.6 ~ F32), with manual override
Minimum object distance (MOD)	Wide angle (x1 to x4): 10cm Tele end (x5 to x22): 1.0m. Adjustable to 0.1m, 1.0mm, 1.5m, 2.5m and 6m
Filter screw size	M37x0.7mm
Pre-alarm recording	180sec. max.
Post-alarm recording	180sec. max.
Search function	Alarm/Event/Time searching
Serial interfaces	RS-232, RS-485, Protocols: eneo Fastrax E and Pelco D&P
Configuration	Via WebBrowser, Built-in WebServer
Software upgrade	via Network Interface, incl. Viewer setup
Password protection	yes
PTZ Support	yes
Protection rating	IP66/67
Camera mount	Mounting socket with 1/4" - 20 UNC thread. Assembling on bottom or top
Supply voltage	12VDC
Power over Ethernet	no
Power consumption	8watts max.
19" Rack mountable	no
Temperature range (Operation)	0 ~ +40°C
Humidity range	0 ~ 96% non-condensing
Colour	RAL9016 (Body and sunshield), RAL7035 (Front and back), RAL7037 (Inner ball, fixing ring)
Dimensions (HxWxD)	see drawing
Weight	1.5kg
Parts supplied	Viewer software with recording capability, Configuration and client CD-R, 12-pin adapter cable with open ends

Accessories

77773 / VT-PS12DCDT1	PSU 12VDC/1.0A, Regulated, Desktop Version, 1.8m Cables each w. open ends
74088 / EDC-KBD1	System Keyboard with 3-axis Joystick, 12VDC/230VAC
74092 / EDC-KBDM-3	System Keyboard w. Joystick, 5" Monitor 12VDC/230VAC, Fastrax Protocol
74124 / FASTRAX_CONFIG	Configuration Software for Eneo Fastrax, Minitrax Dome Cameras and VKC-1416



Maße/Dimensions: mm

VIDEOR TECHNICAL E. Hartig GmbH
 Carl-Zeiss-Straße 8 · 63322 Rödermark · Germany
 Telefon +49 (0) 60 74/8 88-0 · Telefax +49 (0) 60 74/8 88-100
 info@videortechnical.com · www.videortechnical.com

