

NLD-1401

Home | Security | IP Dome Cameras | Fixed

NLD-1401

1/3" Network Dome, Fixed, Day&Night, 704 x 576,

ONVIF, H.264, MPEG4, PoE, 12/24V

Art-Nr. 93161



Main Features

1/3" Sony Super HAD CCD

Removal IR cut filter (ICR)

Powerful digital noise reduction (3D-DNR)

Privacy masking/Mirror function/Motion detection

ONVIF conformance

Triple codec: H.264 / MPEG-4 / MJPEG

Integrated web server: 10Base-T/100Base-TX

Supports up to 25ips. (at 4CIF)

Resolutions: 4CIF, VGA, QVGA, 2CIF, CIF, SIF, QCIF

16 channel video client software

Varifocal lens F1.4/2.8-12mm w. DC controlled Iris

Vandal resistant dome housing

Specifications

Series	eneo NL
System	Day&Night
Video standard	CCIR/PAL
Sensor size	1/3"
Imager	CCD, Sony Super HAD Interline Transfer
Synchronization	Internal
Sensitivity (at 50% video signal)	0,35 Lux, (colour), 0.2Lux (B&W) at F1.2 (measured)
Horizontal resolution	560 TVL
Automatic gain control (AGC)	ON/OFF switchable
Manual electronic shutter (MES)	1/50 ~ 1/100,000sec.
Digital Noise Reduction (DNR)	yes
Low Speed Shutter	yes
Low speed shutter	Automatic, 2 ~256 Fps., ON/OFF switchable

NLD-1401

(Continuation Specifications)

White balance	AWB, Indoor / Outdoor switchable
Backlight compensation	BLC, HSBLC (Highlight Suppress Back Light Compensation), ON/OFF switchable. Adjustable size and gain
Wide Dynamic Range (WDR)	yes
Flickerless function	yes
Switchable IR cut filter	yes
IR cut filter	switchable
Mirror function	H/V flip, 180° rotation
Privacy zones masking	ON/OFF switchable
Activity detection	yes
Motion detector	9 zones, ON/OFF switchable
Text display	15 character label, ON/OFF switchable
Sharpness correction	adjustment range: 0 ~31
Brightness	adjustment range: 0 ~100
Menu languages	English, Korean, Chinese
OSD function control	H/V flip (Mirror picture), Rotation, Positive/Negative, Freeze, Day&Night (Auto/Manual), Shutter control, Sharpness & Brightness correction, Exposure, White balance, Privacy zones masking, Motion detection, Text, Digital Cropping
Internal adjustments	Camera position, Angle of view & focus, Reset
External connections	Video (BNC), Audio In/Out, Network (RJ-45), Alarm Inputs/Output, Power Input
Video outputs	composite (CVBS), 1Vp-p (C)VBS, 75ohms, BNC
Audio support	yes
Audio	1/1 Line input and output (Input selectable with microphone pre-amplifier)
Alarm inputs	yes, 1x TTL
Alarm outputs	1
Alarm handling	File upload via FTP and HTTP. Notification via email, HTTP and TCP. External output activation
Internal storage	no
Compression standard	H.264, MJPEG, MPEG-4
Resolution max.	704 x 576
Resolution	4CIF, 2CIF, VGA, QVGA, CIF, QCIF, QQVGA
Image transm. rate max.	25 B./Sek.
Frame rate	25 Frps. max. at 704x576 Px. (H.264, MJPEG, MPEG-4, PAL), adjustable
Bandwidth	Controllable bandwidth and frame rate
Stream types	H.264, MPEG-4, MJPEG multiple
Image display	Via Web Browser or Viewer Software
Ethernet interface	10Base-T, 100Base-TX

NLD-1401

(Continuation Specifications)

Network protocols	IPv4/v6, SMTP, DDNS, HTTP, HTTPS, DNS, FTP, DHCP, QoS, UPnP, NTP, RTSP, RTP, TCP, UDP, SNMP, RTCP, ARP
Lens type	varifocal
Lens	F1.4/2.8 ~12mm with galvanometer driven iris
Focal length	2,8 mm - 12 mm
Horizontal angle of view	81,2° - 22,6°
Digital Zoom	2x ~32x
Iris control	DC
MOD (Minimum object distance)	0,5 m
Filter screw size	not available
Illumination	no, not implemented
Pre-alarm recording	up to 30sec.
Post-alarm recording	Up to 30sec.
Search function	Alarm/Event/Time searching
Serial interfaces	no
Remote configuration	16-ch. remote client S/W (Live, Recording, Playback, Archiving, e-Map, Event search)
Configuration	via Smart Setup Software
Access	10 Users simultaneous support
Software update	via Remote Software
Password protection	yes
PTZ Support	no
Rotation range	359°
Supply voltage	12VDC, 24VAC, PoE
Power over Ethernet	yes
Power consumption	6.5W
Mounting	wall mount, ceiling mount
Temperature range (Operation)	0°C ~+45°C
Vandalism resistant	yes
Housing	outdoor
Housing material	aluminium
Colour (housing)	Pantone Cool Gray 1C
Bubble	Polycarbonate plastic with black inner liner
Colour (bubble)	clear
Protection rating	IP66
Management Software Support	NT-Manager
ONVIF	version 1.01
Certificates	CE
Dimensions (HxWxD)	see drawing
Weight	950g

NLD-1401

(Continuation Spezifications)

Parts supplied	Mounting kit, Torx wrench key, Terminal plugs (2 & 6 pins), Drilling template, Manual
-----------------------	---

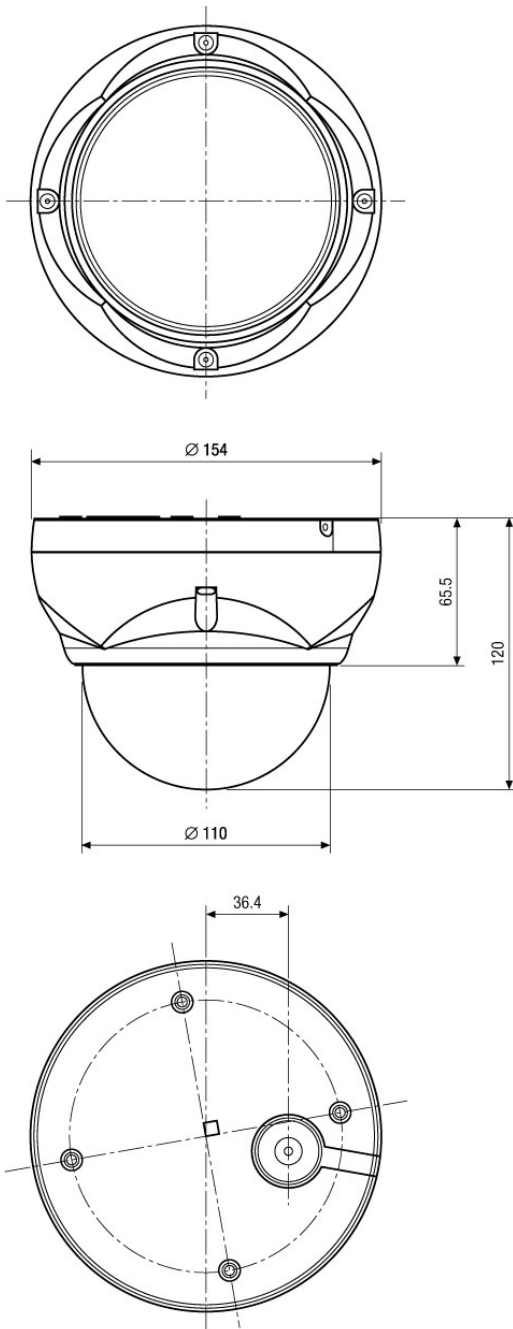
Optional accessories

74155	EDMC/CWB-1	Wall or Pendant Mount Kit f. Dome Camera Series EDMC, NTD, NLD, NXD & VKCD-1375
70536	VT-PS12DC-9	Plug-in Power Supply Unit 100-240VAC 12VDC (1.0Amp), Regulated, w. open Ends
77773	VT-PS12DCDT1	PSU 12VDC/1.0A, Regulated, Desktop Version, 1.8m Cables each w. open ends
70527	NE-132/AC24V	Power Supply Unit 230VAC/24VAC (1.0A)
93156	NT-MANAGER	Remote Administration Interface Software for eneo NW Series NT, NX, NL
70495	VT-PS12DC-7	Plugable PSU w. Cont. & UK Mains plug-in 100-240VAC/12VDC-1.25A, Regulated
93159	NT-SMARTMANAGER	Utility S/W Tool for eneo Network Series NT, NX, NL
74099	EDMC/H12	Low Voltage Heater Kit 12V/10W for Minitrax Series, NLD-1401, NXD-130x/140x
74104	EDMC/H24	Low Voltage Heater Kit 24V/10W for EDMC- 142, VKCD-1410, NLD-1401, NXD-130x/140x

NLD-1401

Home | Security | IP Dome Cameras | Fixed

Technical drawing



Maße/Dimensions: mm