

Video Security



MTC-1
 Matrix, Multiplexer and Telemetry
 Keyboard with Joystick, RS-485 Control
Art-No. 75201



Features

Microprocessor Controlled Virtual Keyboard
 Configurable Touch Screen Graphic Display
 Customization of up to 30 User Maps
 Programming, Control of Matrixes and Multiplexers
 Telemetry Control with Fixed and Variable Speed
 Telemetry Control via Matrix and Direct Control

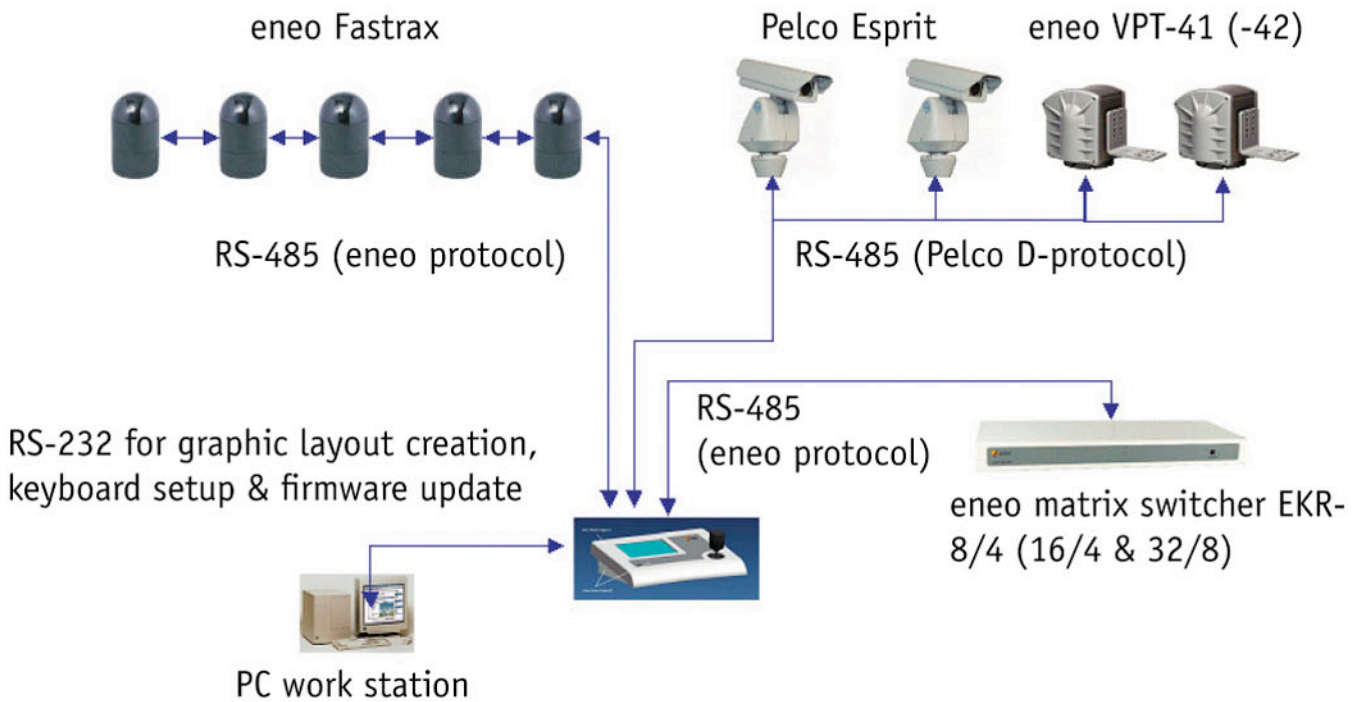
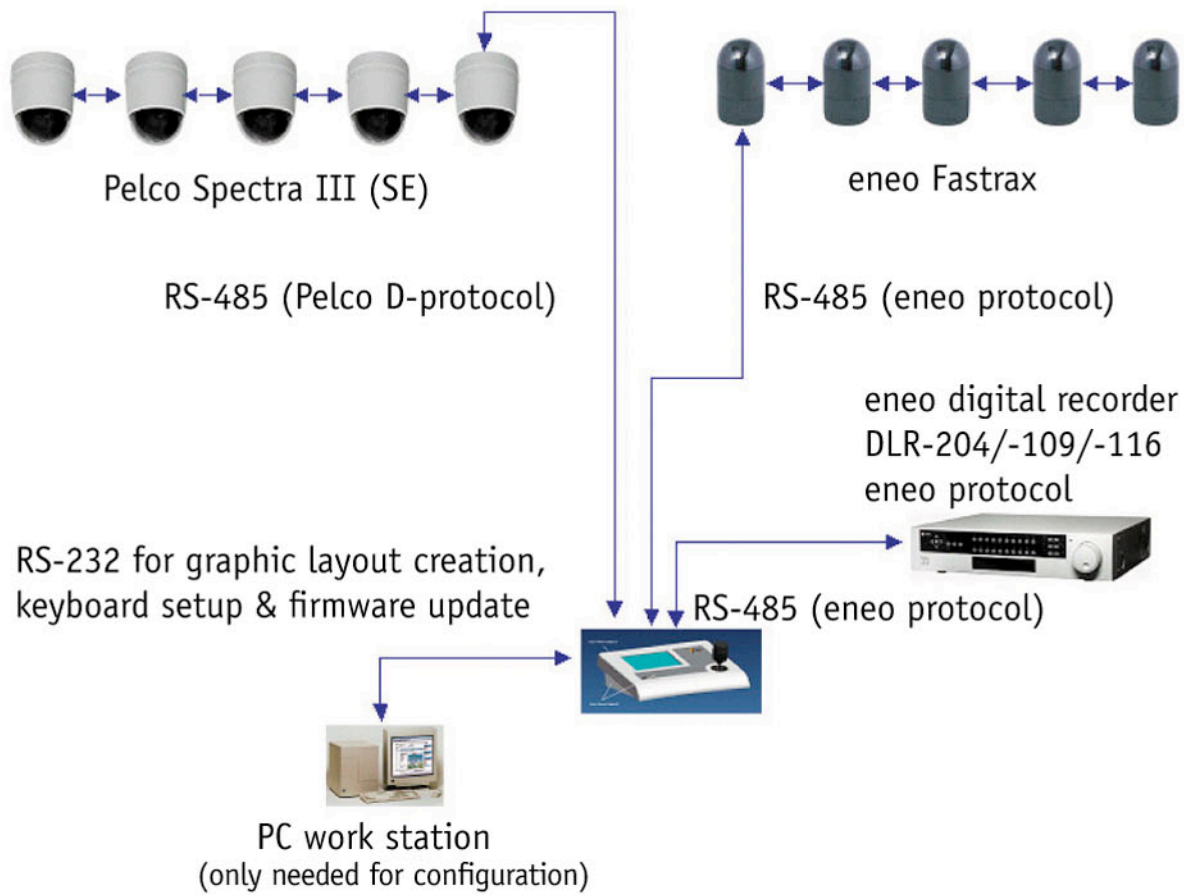
20 Free Configurable Macro Function Keys
 Up to 10000 Cameras, 99 Monitors Controlable
 Up to 2x 999 Telemetry Receivers Controlable
 RS-485 Interface
 Graphic Alarm Display and Acoustic Buzzer
 Ergonomic Design

Specifications

LCD display	Graphical touch-screen display with white LED back-lit. Dimensions: 115x86mm, Resolution: 320x240 pixels
Display	Configurable Icons and site maps
Site maps	Upload of up to 30 PC configured site maps with up to 40 virtual macro function keys each, via RS-232 interface
Macro function	Up to 20 free configurable virtual keys for macro functions
Direct mode	Via RS-485, RJ-11 interface for the P/T head series VPT-41/-42 and for Dome cameras from eneo, Pelco, Elbex, Ernitec, Elmo, JVC, Panasonic, Samsung, Santec, Sensormatic, Star, VCL, and others
PC interface	RS-232
Control Interface	1x RS-485 for Matrix and Multiplexer control. 2x RS-485 for independent daisy-chain control of up to 999 telemetry receivers each, via 1200m max. distance
Joystick	3-axis proportional joystick for manual control of variable speed
Control functions	Keys select cameras and monitors, operate presets, patterns, auxiliaries, and sequences; Camera functions: pan, tilt, zoom, focus, iris for fixed or variable speed control of pan and tilt heads and dome cameras

(Specifications continued)

Backup	Set-up and firmware update via RS-232 Interface (Distance of up to 15m max.)
Menu languages	English, German, French, Italian
Password protection	3 password levels: Connection, set-up, alarm reset
Supply voltage	12VDC (Power supply 100-240VAC included)
Housing	Thermo-resistant and shock proof ABS plastic
Colour	White finish
Dimensions (HxWxD)	See drawing
Weight	1.7kg
Parts supplied	Wide range power supply, 3x power and 6x RJ-11 cables, 6x RJ shunt box, German/english manual (other languages upon request)

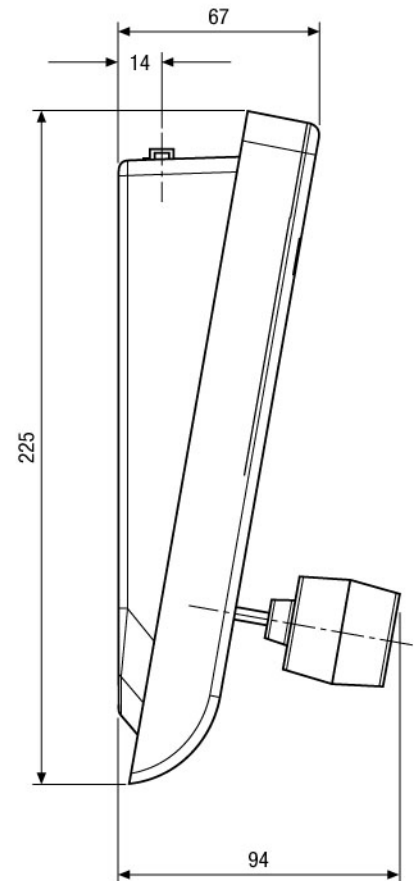
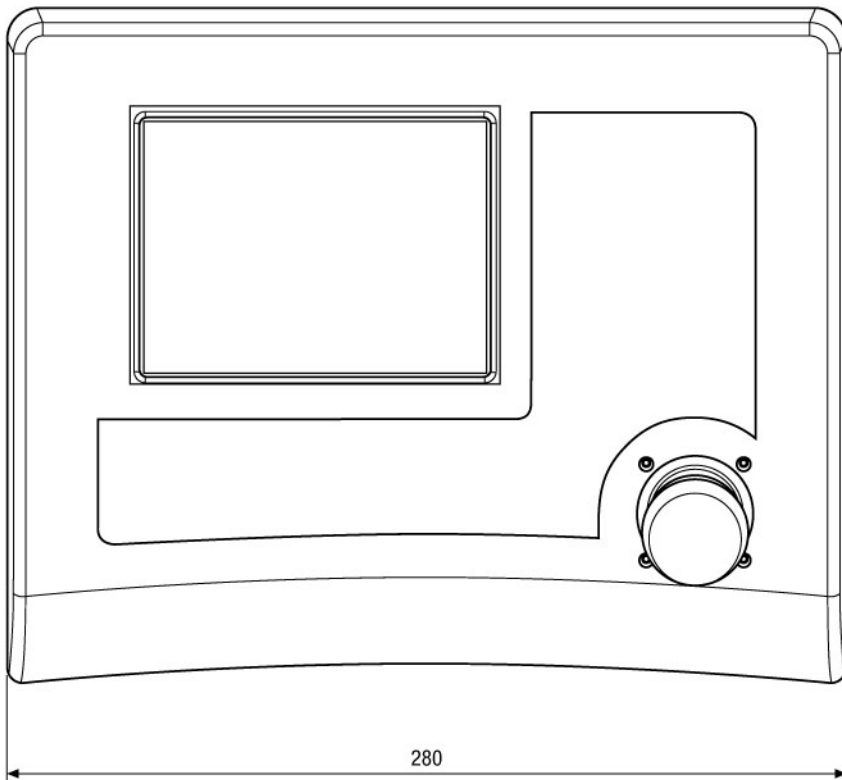
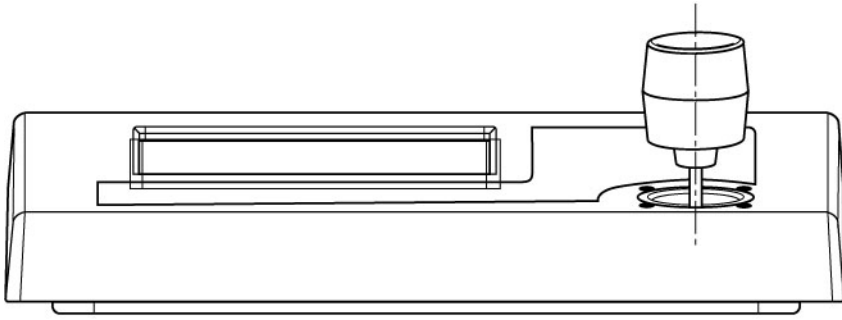


Accessories of

73592 / ES3012-5N	Pan/Tilt Head with Camera Housing, Receiver and Pedestal Adapter
73591 / ES3012-5W	Pan/Tilt Head with Camera Housing, Receiver and Wall Mount
73787 / SD53CBW-PG-E0-X	Colour HighSpeed Dome, 23x Zoom, Tinted Outdoor Wall/Ceiling Mnt., 24VAC, 470TVL
73789 / SD53C22-F0-X	Colour HighSpeed Dome, 22x Zoom, Tinted for Ceiling Mount, 24VAC, 460TVL
73788 / SD53CBW-PG-E1-X	Colour HiSpeed IR-Dome, 23x, Clear Outdoor Wall/Ceiling Mnt., 24VAC, 470TVL
73792 / SD53C22-PG-E0X	Colour HighSpeed Dome, 22x Zoom, Tinted Outdoor Wall/Ceiling Mnt., 24VAC, 460TVL
73793 / SD53C22-PG-E1X	Colour HighSpeed Dome, 22x Zoom, Clear Outdoor Wall/Ceiling Mnt., 24VAC, 460TVL
73791 / SD53C22-PG-0-X	Colour HighSpeed Dome, 22x Zoom, Tinted for Wall Mount, 24VAC, 460TVL
73781 / SD53TC-F0-X	Colour High Speed Dome, 16x Zoom Tinted, for Ceiling Mount, 24VAC, 460TVL
73782 / SD53TC-PG-0-X	Colour HighSpeed Dome, 16x Zoom, Tinted Outdoor Wall/Ceiling Mount, 24VAC,460TVL
73783 / SD53TC-PG-E0-X	Colour HighSpeed Dome, 16x Zoom, Tinted Outdoor Wall/Ceiling Mnt., 24VAC, 460TVL
73784 / SD53TC-PG-E1-X	Colour HighSpeed Dome, 16x Zoom, Clear Outdoor Wall/Ceiling Mnt., 24VAC, 460TVL
73785 / SD53CBW-F0-X	Colour HighSpeed IR-Dome, 23x Zoom Tinted, for Ceiling Mount, 24VAC, 470TVL
73786 / SD53CBW-PG-0-X	Colour HighSpeed IR-Dome, 23x Zoom Tinted, for Wall Mount, 24VAC, 470TVL
73692 / ES30C16-5W	Integrated Positioning System with Colour Camera, 16x Lens and Wall Mount
73694 / ES30CBW18-5W	Integrated Positioning System with Colour Camera, 23x Lens and Wall Mount
73693 / ES30C22-5W	Integrated Positioning System with Colour Camera, 22x Lens and Wall Mount
73729 / VPT-41RSP-PO	Pan/Tilt Head with Receiver Board RS-485 and Potentiometer, 24VAC, RAL7032
73728 / VPT-42RSP-PO	Pan/Tilt Head with Receiver Board RS-485 and Potentiometer, 24VAC, RAL7032
73879 / SD53C22-SMW-0-X	Color HighSpeed Dome Camera for Surface Mount, 22x AF Zoom, 24VAC, 460TVL
73881 / SD53CBW-SMW-0-X	Color/IR HighSpeed Dome Camera, Surface Mount, 23x AF Zoom, 24VAC, 470TVL
73874 / SD53TC-SMW-0-X	Color HighSpeed Dome Camera, Surface Mount, Tinted, 16x AF Zoom, 24VAC,460TVL
73259 / VPT-41RSVT-PO	Pan/Tilt Head with Receiver Board (RS) and Potentiometer, 24VAC, RAL7032
73564 / VPT-42RSVT-PO1	Pan/Tilt Head with Receiver Board RS-485 and Potentiometer, 24VAC, RAL7032

(Accessories of continued)

73558 / VPT-42MC/24VP01	Pan/Tilt Head with Receiver Board Manchester, Potentiometer, 24VAC, RAL7032
74086 / EDC-141E	1/4" Colour/B&W High Speed Dome Camera with 18x Zoom Lens, 24VAC, 480TVL
75208 / EKR-16/4	16-4 Video/Telemetry Matrix Switcher, 230VAC
75206 / EKR-32/8	32-8 Video/Telemetry Matrix Switcher, 230VAC
74091 / EDC-143E	1/4" Colour/B&W High Speed Dome Camera with 23x Zoom Lens, 24VAC, 480TVL
96062 / ESPRIT DN-01	1/3" Day/Night Camera with 18x Lens Esprit System ES3012-5W, 230VAC, 480TVL
75202 / EKR-8/4	8-4 Video/Telemetry Matrix Switcher, 230VAC
74093 / EDC-142E1	1/4" Colour High Speed Economy Dome Camera, 22x Zoom Lens, 24VAC, 480TVL
74100 / EDC-144E	1/4" Colour/B&W High Speed Dome Camera with 26x Zoom Lens, 24VAC, 480TVL



VIDEOR TECHNICAL E. Hartig GmbH
Carl-Zeiss-Straße 8 · 63322 Rödermark · Germany
Telefon +49 (0) 60 74/8 88-0 · Telefax +49 (0) 60 74/8 88-100
info@videortechnical.com · www.videortechnical.com