

Video Security



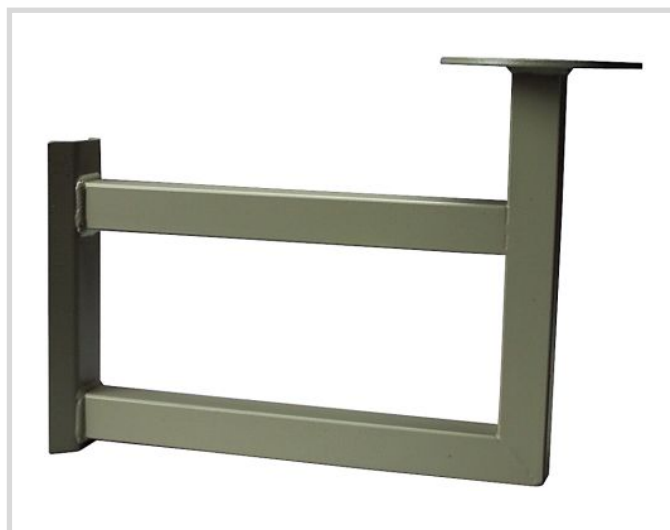
P/T Systems | Mounts for P/T Head

MK-1N1

Pole Bracket for Pan/Tilt Heads

RAL7032

Art-No. 73134



Features

For Pole Mounting (100-180mm)

For Pan and Pan/Tilt Heads

Rugged Construction

Improved Rust Protection

Ready for Installation

Option: Swivel Head GK-2/N1

Specifications

Mounting distance from fixing point

350mm

Load capacity

15kg

Kind of mounting

Adjustable stainless steel bendings with lock (3 pieces)

Material

Steel

Colour

RAL7032

Dimensions (HxWxD)

See drawing

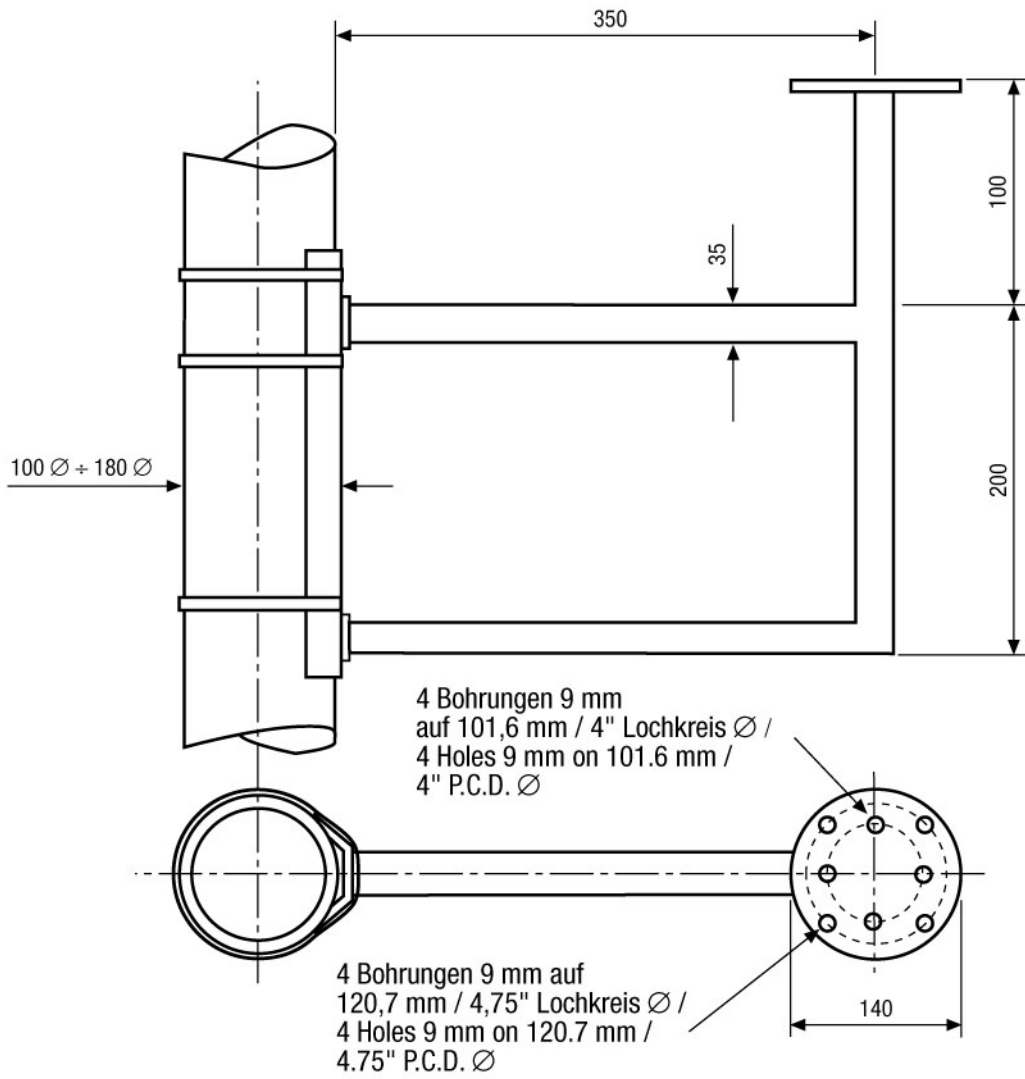
Weight

3kg

Accessories

73136 / GK-2/N1

Swivel Head for WD-2N1, MK-1N1 and MK-21 RAL7032



Maße/Dimensions: mm