



Mounts for Pan & Tilt Units

FDP-No. : 73009

MK-1N

- For Pole Mounting
- For Pan- and Pan/Tilt Heads
- Rugged Construction
- Ready for Installation
- Option: Swivel Head GK-2N

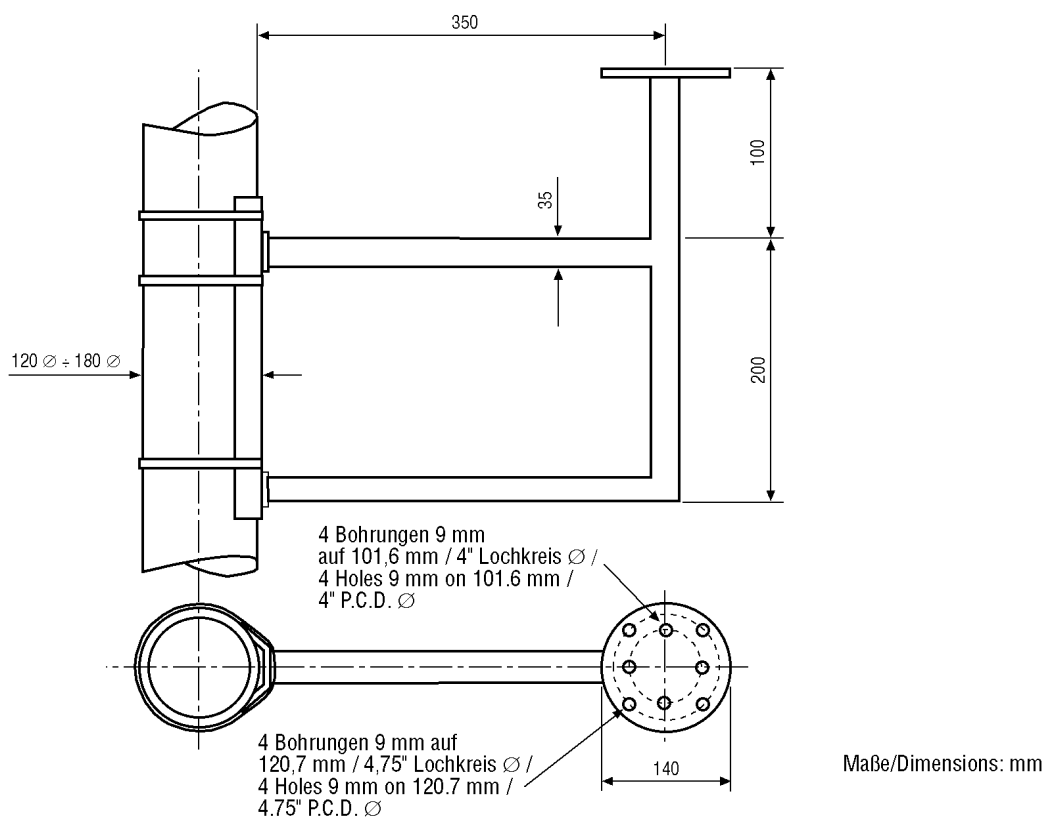


Specifications:

Load capacity	15 kg
Mounting distance from fixing point	350 mm
Material	Steel
Colour	RAL 7032
Kind of mounting	Adjustable stainless steel bendings with lock (3 pieces)
Dimensions (HxWxD)	See drawing
Weight	3 kg

Accessories

EDP No. / Type	Description
73014 GK-2/I-N	Swivel head, light grey finish (RAL 7032)



e-mail: info@eneo-security.com • www.eneo-security.com