

Video Security

Network Cameras | LAN Camera Systems

ENE0 LAN-02

1/3" Network Colour Camera, F1.0/3-8mmDC
in VHM Weatherproof Housing, 480TVL

Art-No. 96055



Features

1/3" CCD Colour Camera with MJPEG Compression
Lens: F1.0/3-8mm with DC Controlled Iris
Transmission Rate: Upto 25 Frames/Sec.
E-Mail and FTP Transmission of Important Events
Activity Detection
Ethernet Interface: 10/100Base-T

Supports Various Network Environments
Weatherprotected Housing with 24V Screen Heater
Plugable Connector with 3m Multicore Cable
Viewing Screen with "Clear-Shield" Technology
Surface: RAL7032
Wall Bracket WD-16

Specifications

Imager	1/3" interlaced CCD
Resolution	480 TV lines (camera) 720x576, 352x288
Sensitivity at 50% video signal	0.52Lux at F1.0 (VT measurement result)
Automatic shutter control (AES)	1/50 - 1/100,000Sec.
Activity detection	Integrated motion detector
Focal length (f)	3-8mm
Horizontal angle of view	91°-36°
Aperture range	F1.0-F360
Iris control system	Galvanometer
Minimum object distance (M.O.D.)	0.2m
Focus constant range	+0.02mm (Focus deviation at switch-over to IR light at 880nm)
Window screen	Coated with "Clear Shield" Technology. With this technology the glass corrosion, caused by environmental pollution, is avoided and screen cleaning cycles will be extended. The coating is UV light resistant, colour neutral and it causes no F-stop loss.
Window heater	24V, approx. 6watts, with thermostat (On: +16°C, Off: +20°C)

ENE0 LAN-02

(Specifications continued)

Cable entry	Metal gland M20x1.5mm
Cable connection	3m Multicore cable with open ends
Mounting distance from fixing point	300mm
Turning range of the swivel head	360°
Tilt range	Approx. 50°
Protection rating	IP66
Secondary Storage	Via CF card
Recording	on PC with Viewer Software or on CF Card on camera side
Video output	1 Vp-p, CVBS, 75 ohms, BNC
Compression standard	M-JPEG
Frame rate	25 frames/sec. max.(recording mode), up to 15 frames/sec. (streaming mode)
Transmission rate	up to 15 frames/sec.
Video ring buffer	Stores alarms up-to 3 min.
Image display	Via Web Browser or Lan-Cam-Viewer Software
Alarm input	1 (software controlled)
Alarm outputs	Open collector (5V / 0.02A max.)
Alarm handling	Automatic connection setup to a specified IP address. Sending e-mail with alarm picture (JPEG) automatically
Ethernet interface	10/100 Base-TX, RJ45
Ethernet protocols	TCP, UDP, IP, ARP, ICMP, FTP, DHCP, PPP, HTTP, IGMP
Software upgrade	Via CF card (FAT16 formatted)
Operation protection	Multilevel and Multiuser - Password protected
Serial interfaces	RS-232, RS-485, RJ 45 connector
Supply voltage	230VAC/50Hz
Housing	Aluminium
Colour	RAL7032
Temperature range	-10°C ~ +50°C
Dimensions (HxWxD)	See drawing
Weight	Approx. 3.5kg
Parts supplied	Package consisting of: LAN Camera ENC-1002L with lens, LanCam Viewer Software, Weatherproof housing with power supply unit 230V/50Hz, Screw set, Central plug with built-in 30-pin connector, Wall bracket

Accessories

71852 / CF CARD/128	CF Memory Card 128MB for ENC-1001L, ENC-1002L, ENC-1003L
71853 / CF CARD/256	CF Memory Card 256MB for ENC-1001L, ENC-1002L, ENC-1003L
70456 / AK-2	Camera Connection Box for Standard and Ethernet Cameras

Accessories of

71856 / DNR-108/80	Digital IP Recorder (8 Channel), 80Gb 12VDC/230VAC
---------------------------	--

(Accessories of continued)

71875 / DNR-108/80W

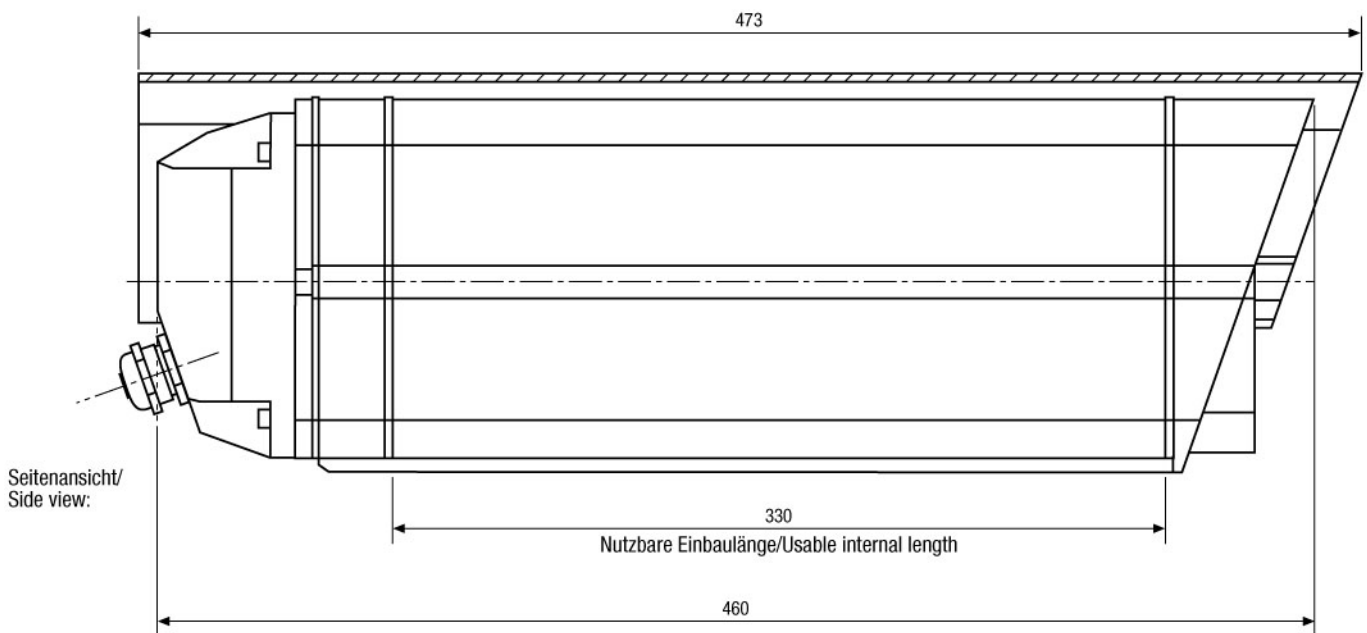
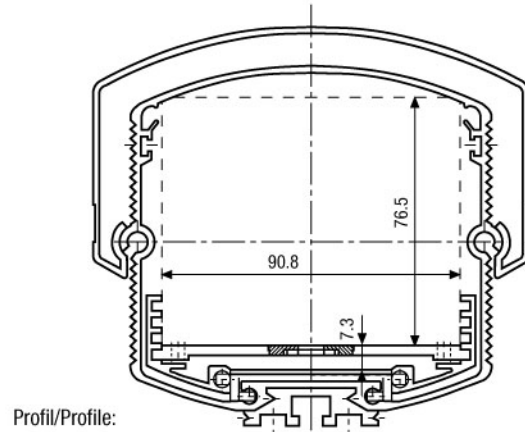
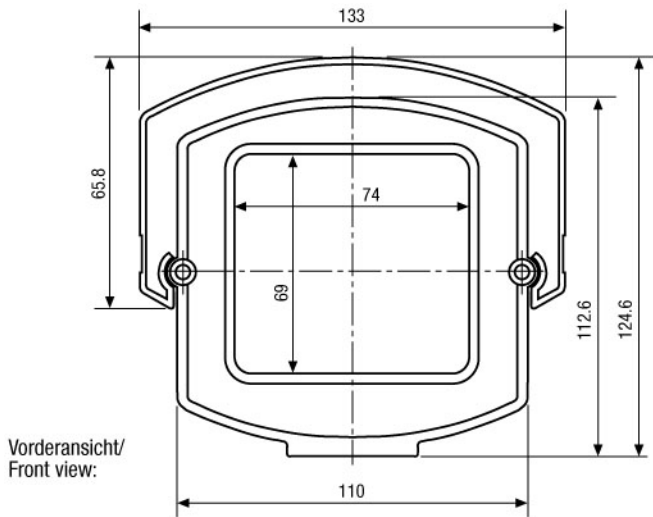
Digital W LAN IP Recorder (8 Channel), 80Gb,
12VDC/230VAC

Product Information

Viewer Software for the recording of upto 4 cameras ENC-1002P

System requirements for the Viewer Software:

- Standard PC with P-IV processor and >1.8GHz system clock
- Windows 2000 or Win XP (in preparation)
- Network connection 10/100 Base-Tx
- Internet Explorer 5 or higher
- Hard disk 80Gb, depend on recording demand
- RAM 512Mb (recommended)



Maße/Dimensions: mm

VIDEOR TECHNICAL E. Hartig GmbH
 Carl-Zeiss-Straße 8 · 63322 Rödermark · Germany
 Telefon +49 (0) 60 74/8 88-0 · Telefax +49 (0) 60 74/8 88-100
 info@videortechnical.com · www.videortechnical.com

