

KBD-2

Home | Security | Recording | Accessories

KBD-2
System Keyboard with 3-Axis Joystick and Jog Shuttle,

12VDC

Art-Nr. 74149



Main Features

Programming and control of camera series:

Fastrax and Minitrax

For DVR series DLR1.2, DLR3/4, DTR, DIR and DPR

Supports up to 508 cameras

Joystick control of PTZ functions

Programmable sequences and patterns

Preset position and pattern control

Auto and random scanning

Auxiliary operation

Master / Slave operating (up to 3 slaves)

RS-232/RS-485 multi protocol interfaces

16x2 lines LCD display

Specifications

Operation Mode

Single operation or 1 Master / 3 Slaves max.

Joystick

3-axis proportional joystick for manual control of variable speed

Multiplexer/camera control

up to 508 cameras

Site control (direct mode operation)

Keys select cameras and monitors, operate presets, patterns, auxiliaries, and sequences. Camera functions: pan, tilt, zoom, focus, iris for fixed or variable speed control of the camera series Fastrax, Minitrax

Baud rate

2400 ~38400 Baud

Control functions

Joystick: Pan/tilt/zoom operation, Key switches: Zoom /focus/iris, Jog shuttle: smoother DVR control

Protocols

Fastrax IIE and Pelco P&D

Interface

2x RS-485 (dome cameras/DVRs, Recorder series DLR, DTR, DPR, and slave port. 1x RS-232C (optional junction box EDC-KBD J-Box and DVR/PC port)

KBD-2

(Continuation Specifications)

Remote control	control of up to 254 Fastrax and/or Minitrax dome cameras. Up to 99 Digital Video recorders of the series DLR1.2, DLR3/4, DPR, DIR and DTR
LCD display	16x2 characters
Supply voltage	12VDC (PSU 100~240VAC, 50/60Hz included)
Power consumption	3.0watts max.
Colour	black
Temperature range	0 ~+50°C
Dimensions (HxWxD)	see drawing
Weight	approx. 1.2kg
Parts supplied	Power supply unit 100 ~240VAC / 12VDC, 50/60Hz,; Manual
Certificates	CE
Remarks	For Master/Slave operation the article #902037 (EDC-KBD J-BOX) is requested. No Master/Slave operation possible with keyboards EDC-KBD1 and EDC-KBDM-3

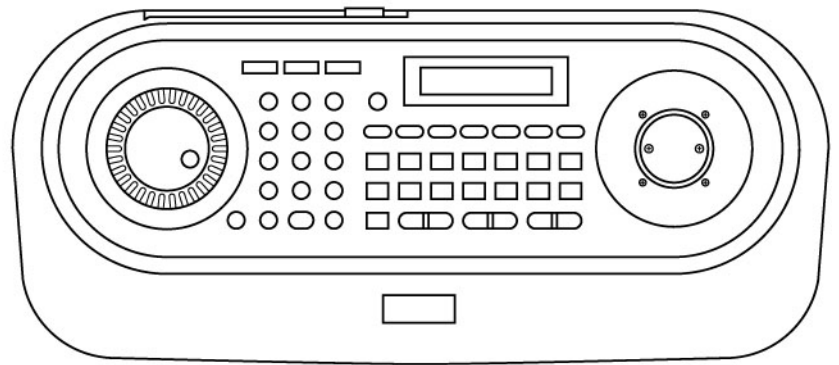
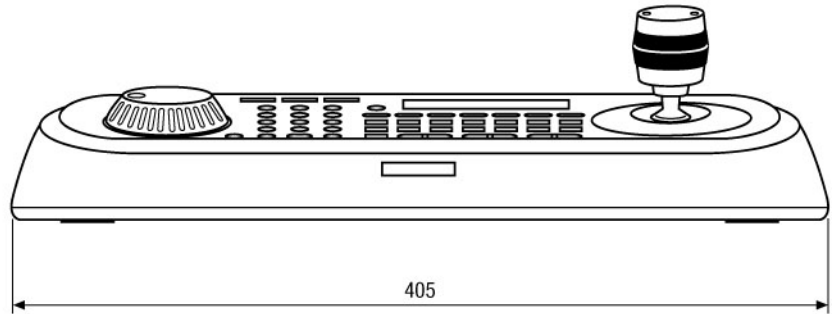
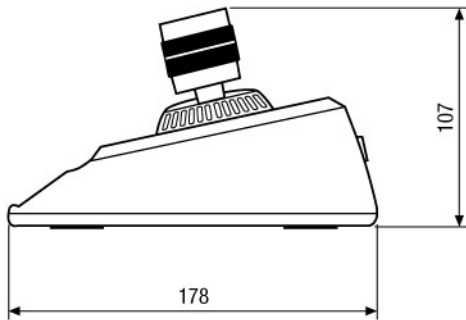
Optional accessories

74219	EDC-KBD J-BOX	Junction Box for EDC-KBD1, EDC-KBDM-3, KBD-2 Series
-------	----------------------	---

KBD-2

Home | Security | Recording | Accessories

Technical drawing



Maße/Dimensions: mm

