



IRCAM/WB2

Article-No.: 92168

Wall Mount Kit for VKCD-1322
and VKCD-1324/IR

Specifications

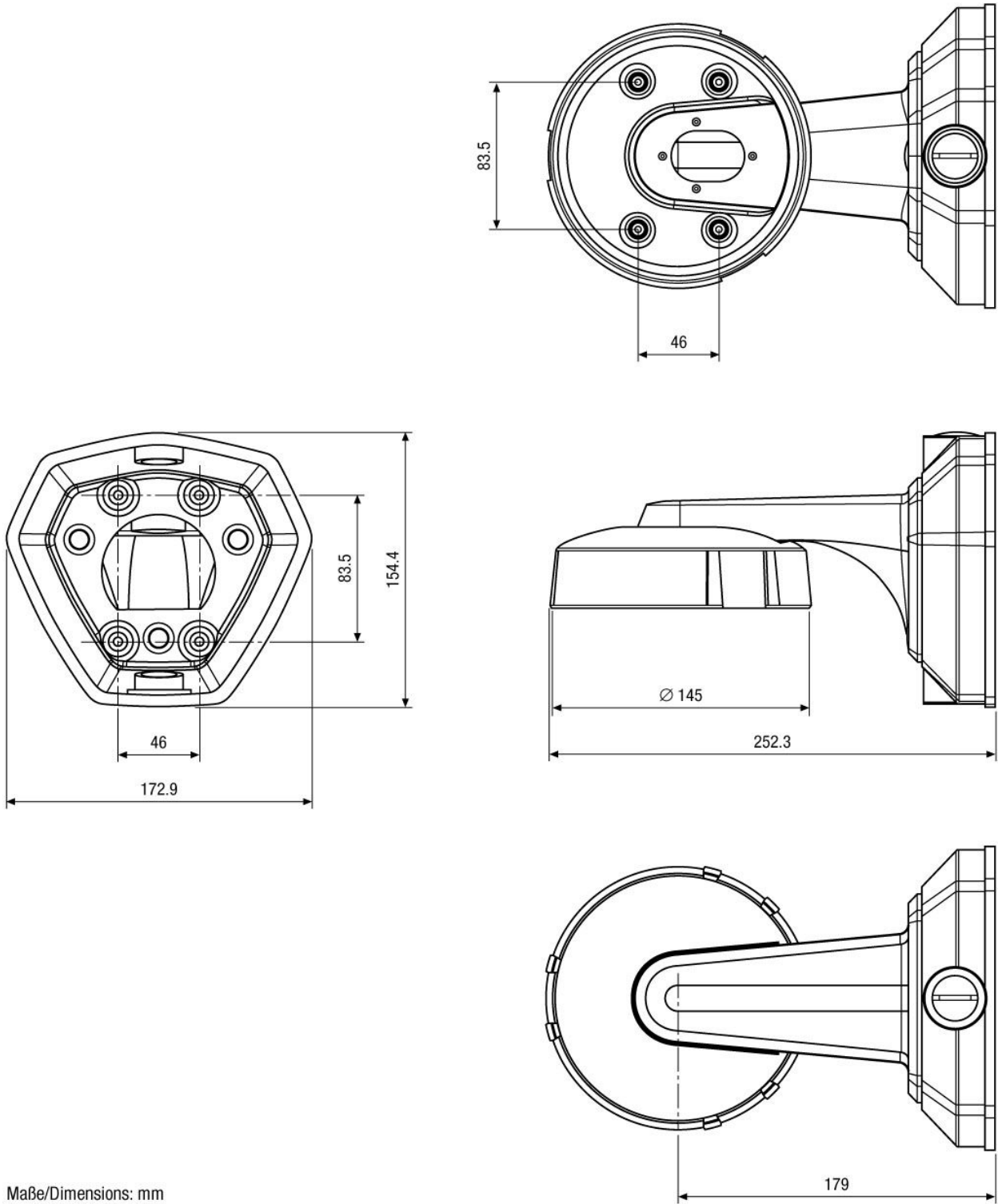
Colour

Pantone Warm Gray 1C

Weight

970g

Technical Drawing



Maße/Dimensions: mm



Your partner for eneo products:

