

GXC-1606M/IR

Home | Security | IP Cameras | Megapixel

GXC-1606M/IR
1/3" Network Camera, Day&Night, CMOS, 3.3-12mm,
1280x1024, IR LED, PoE, ONVIF

Art-Nr. 92707



Main Features

1/3" Sony 1.3 megapixel CMOS sensor
Resolution of 1280 x 1024 (HD 720p) max.
Simultaneous video streaming (H.264/MJPEG/MPEG-4)
Removeable IR cut filter (ICR)
WDR (Wide Dynamic Range)
ROI (Region of Interest)

Integrated motion detection
Audio and alarm in-/outputs
Alarm recording (Micro SD card/SDHC)
ONVIF conformity / IP66
Integral IR illumination
Client management software included

Specifications

Series	eneo GL
Resolution standard	HD 720p
System	day&night
Video standard	CCIR/PAL
Sensor size	1/3"
Imager	CMOS, Sony IMX035
Digital signal processing (DSP)	TI TMS320DM355 (digital media processor)
Sensitivity (at 50% video signal)	0,2 Lux, at F1.2
Automatic gain control (AGC)	8x / 16x / 32x / 64x
Automatic electronic shutter (ESC)	ON/OFF switchable
Digital Noise Reduction (DNR)	yes
Low speed shutter	yes
Manual electronic shutter (MES)	1/2sec. ~1/2,000sec.

GXC-1606M/IR

(Continuation Spezifications)

White balance	AWB, Indoor / Outdoor switchable
Wide Dynamic Range (WDR)	yes, 9 levels
Flickerless function	yes
IR cut filter	switchable
Mirror function	horizontal, vertical
Privacy zones masking	3 zones masking, ON/OFF switchable
Motion detector	512 zones (0~100%)
Activity detection	yes
Text display	IP Address / Date /Time / Icon
Menu languages	German, English, French, Spanish, Italian, Portugese, Dutch, Polish, Czech, Swedish, Finnish, Hungarian, Romanian, Turkish, Chinese
OSD function control	AGC, AWB, exposure, ESC, H/V flip (mirror picture), brightness, text, colour intensity, motion detection, contrast, WDR, resolution, language
External adjustments	IP protocol stat./dyn., ESC / DC iris lens, reset
External connections	video (BNC), network (RJ-45), audio & alarm inputs/outputs, DC Iris (4 pin), USB, RS-485, power inputs
Video outputs	composite (CVBS), 1Vp-p, 75ohms, BNC
Audio support	yes
Audio	1/1 Line input and output (Input selectable with microphone pre-amplifier)
Alarm inputs	1
Alarm outputs	1
Alarm handling	via FTP, HTTP or SMTP. External output activation. SD/SDHC card recording, CMS S/W recording
Internal storage	SD card, SDHC card
Compression standard	H.264, MPEG-4, MJPEG
Resolution max.	1280 x 1024
Resolution	1280x1024 (SXGA), 1024x768 Pixels max. (PC/RGB), 640x480 (VGA), 320x240 (XVGA), 160x120 (QQVGA), 1280x720 (HD 720)
Image transmission rate max.	25 B./Sek.
Frame rate	25 fps max. at 1280x1024 px. (H.264)
Image display	via Web Browser or Viewer Software
Ethernet interface	10Base-T, 100Base-TX
Network protocols	IPv4, ARP, TCP/IP, UTP, ICMP, DHCP, HTTP, HTTPS, RTP, RTCP, RTSP, 3GPP, NTP, DNS, DDNS, PPPoE, UPnP, SAMBA, FTP, SMTP
Bandwidth	controllable bandwidth and frame rate
Stream types	H.264, MPEG-4, MJPEG multiple
Lens type	varifocal
Focal length	3,3 mm - 12 mm
Digital zoom	1x ~10x
Horizontal angle of view	72° - 22,6°

GXC-1606M/IR

(Continuation Specifications)

Illumination	12x LED's, due to an integrated light sensor the LED illumination will be switched ON/OFF, depending from environmental illumination conditions
Illumination range	approx. 20m (at a good light reflexion and 40% Videosignal)
Pre-alarm recording	up to 9sec.
Secondary Storage	SD card drive (JPEG and AVI format)
Memory card	SD card (for software upgrades as well)
Remote configuration	remote software
Access	10 users simultaneous support
Firmware update	SD card / HTTP (Web browser)
Operation protection	Multilevel and Multiuser - Password protected
Password protection	yes
PTZ support	yes
Supply voltage	12VDC, 24VAC, PoE (IEEE-802.3af)
Power over Ethernet	yes
Power consumption	5W
Temperature range (operation)	-40°C ~+50°C
Colour	RAL9003
Colour (housing)	anodized silver-coloured (C-0)
Housing material	aluminium
Housing	bullet, outdoor
Protection rating	IP66
Integrated wall mount	yes
Sunshield	yes
Vandalism resistant	no
Management Software Support	CMS software
SDK	available, SDK incl. HTTP-API and ActiveX
ONVIF	core specifications 1.01
Weight	1600 g
Parts supplied	camera, PSU 100~240VAC, manual, USB connection cable, RJ-45 connection cable, installation CD, Wall mount
Special features	installation wizard via web browser
Certificates	ONVIF, CE
Remarks	free bundle recording software, SDK incl. HTTP-API and ActiveX available

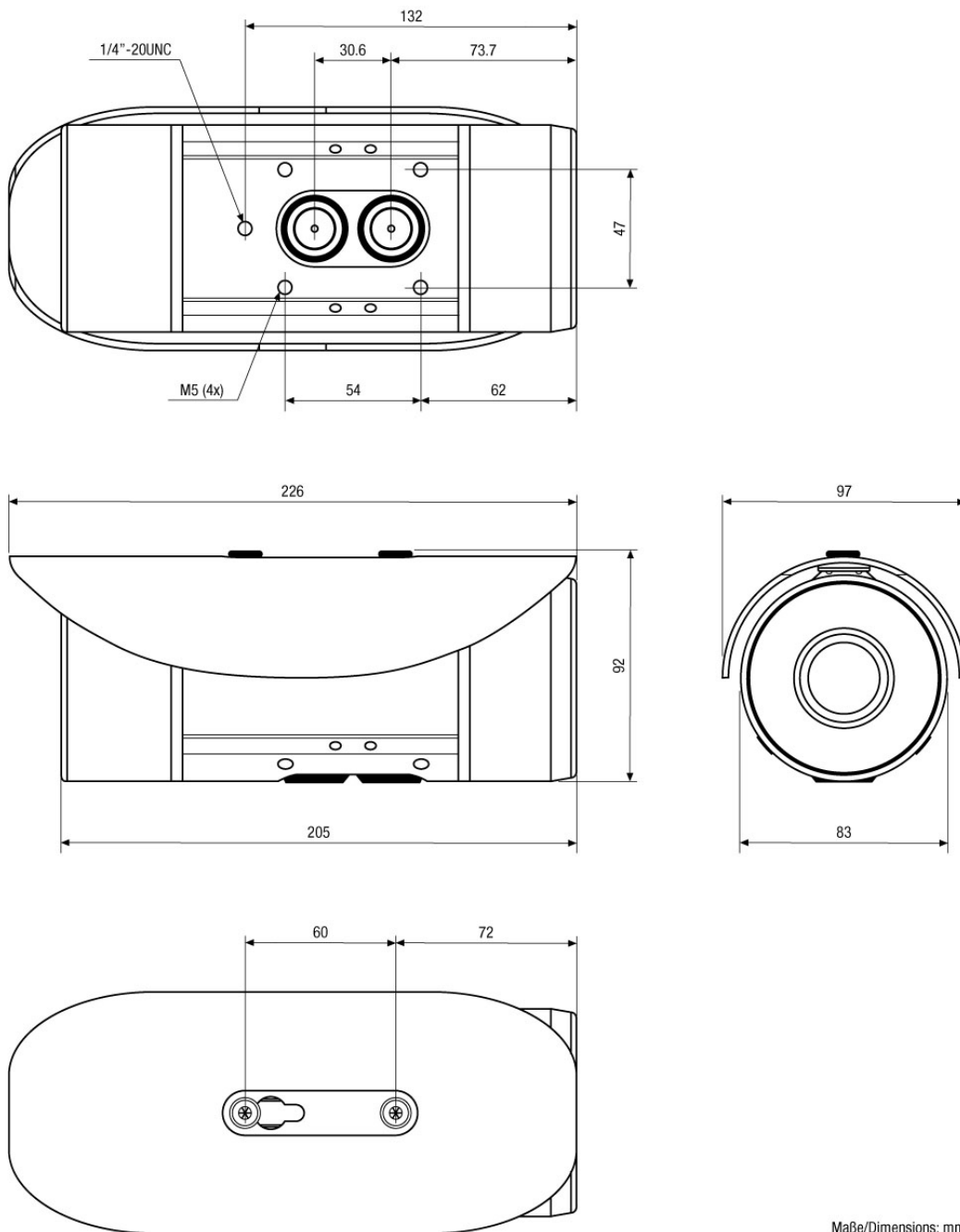
Optional accessories

92547	GL CMS-MANAGER	Viewer and Control Software for eneo Network Series GL, MJPEG, MPEG4, H.264
--------------	-----------------------	---

GXC-1606M/IR

Home | Security | IP Cameras | Megapixel

Technical drawing



Maße/Dimensions: mm



VIDEOR

VIDEOR E. Hartig GmbH, Carl-Zeiss-Straße 8, 63322 Rödermark, Germany - www.vidoor.com