

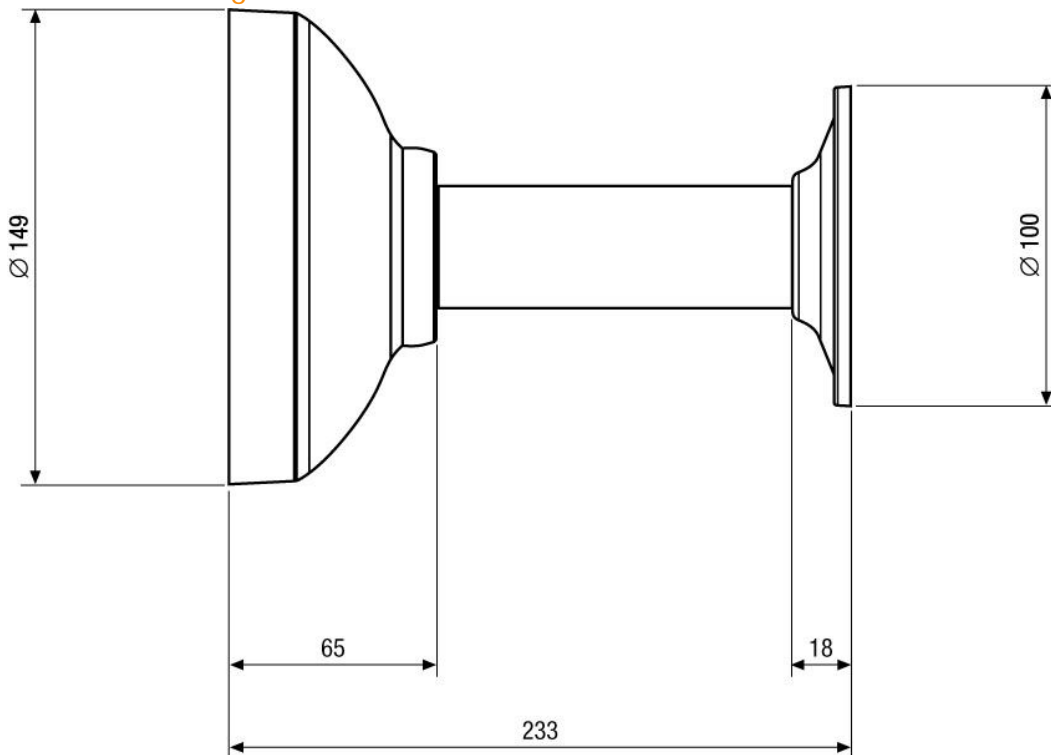


GLD/CMB-1

Article-No.: 92521

Pendant Mount Bracket for GLD-1501/IR

Technical Drawing



Maße/Dimensions: mm



Your partner for eneo products:

