



GLC-1702

Article-No./Type 96093

1/3" Network D&N Camera, 704x576, DSS,
F1.2/3.8-9.5mm, 12VDC

Mainfeatures

Weatherproof Camera with Swivel Head Bracket
Removable IR Cut Filter
Sensitivity Enhancement: 32x max. (DSS Function)
Integrated Web Server: 10Base-T/100Base-TX
Viewer for Monitoring, Recording and Configuration

1/3" D&N CCD Camera with DC Lens F1.2/3.8-9.5mm
High and Low Speed Shutter Control (ESC/DSS)
Back Light Compensation (BLC)
MJPEG and MPEG-4 Compression (GL Series)
Email (FTP), GPIO Notification in Case of an Alarm

Specifications

Series	W3 Plug & Play
System	day&night
Video standard	CCIR/PAL
Sensor size	1/3"
Imager	CCD
Imager	Sony Super HAD II Colour CCD
Synchronization	Internal
Sensitivity (at 50% video signal)	0,2 Lux
Sensitivity (at 50% video signal)	at colour, 0.025Lux (B&W). Videor measurement result at F1.2
Horizontal resolution	520 TVL
Active picture elements	440.000, 752(H) x 582(V)
Automatic gain control (AGC)	28dB max.
Automatic shutter control (AES)	1/50 ~ 1/100.000sec.
Digital Noise Reduction (DNR)	no
Integration rate	yes
White balance (ATW)	2000 ~ 8000K, Automatic tracking
Backlight compensation	BLC
Backlight compensation	Center weighted (On/Off switchable)




Specifications (continued)

Switchable IR cut filter	yes
Activity detection	yes
Activity detection	96 zones, 5 levels sensitivity (MJPEG)
External adjustments	DSS On/Off, DSS 6x/8x, Level control for DC controlled iris
Video outputs (type)	CVBS, VBS
Video outputs	1Vp-p, (C)VBS, 75ohms, BNC
Audio support	no
Alarm inputs	1
Alarm outputs	1
Alarm handling	Email (FTP), GPIO output. SMPT recording
Internal storage	no
Compression standard	MJPEG, MPEG4
Resolution max.	720 x 576
MPEG4 Quality	5 fixed levels and customized Bitrate (from 64kBps ~ 8MBps)
Image transm. rate max.	25 B./Sek.
Frame rate	25 / 24 /15 / 5 Frames/sec.
Ethernet interface	10Base-T, 100Base-TX
Network protocols	TCP/IP, DHCP, HTTP, FTP, SMTP, SNMP, DDNS, UPnP, PPPoE
Lens type	varifocal
Lens	F1.2/F2.0 ~ 360/3.8 ~ 9.5mm with galvanometer controlled iris
Lens mount	integrated lens
Aspherical technology	yes
Focal length	3,8 mm - 9,5 mm
Horizontal angle of view	74,2° - 30°
Iris control	DC
MOD (Minimum object distance)	0,15 m
Filter screw size	not available
Cable connection	Wiring for video and voltage supply made, accessible from outside (1.5m long, Video: BNC jack 12/24V input: for DC plug 2.1/5.5mm)
Serial interfaces	no
Software upgrade	8 Users simultaneous support
Password protection	HTTP or FTP
PTZ Support	yes
Supply voltage	no
Supply voltage	12VDC
Power over Ethernet	(9~18VDC)
Power consumption	no
Temperature range (Operation)	4.2watts
Housing	-30°C ~ +50°C
Mounting	Aluminium with clear polycarbonate window
Colour (housing)	Wall mount (bracket included)
Housing material	Pantone 7541
Housing	Aluminium
Protection rating	Outdoor
Integrated wall mount	IP67
Hidden cable management	yes
Sunshield	yes
Window heater	no
Window heater	no

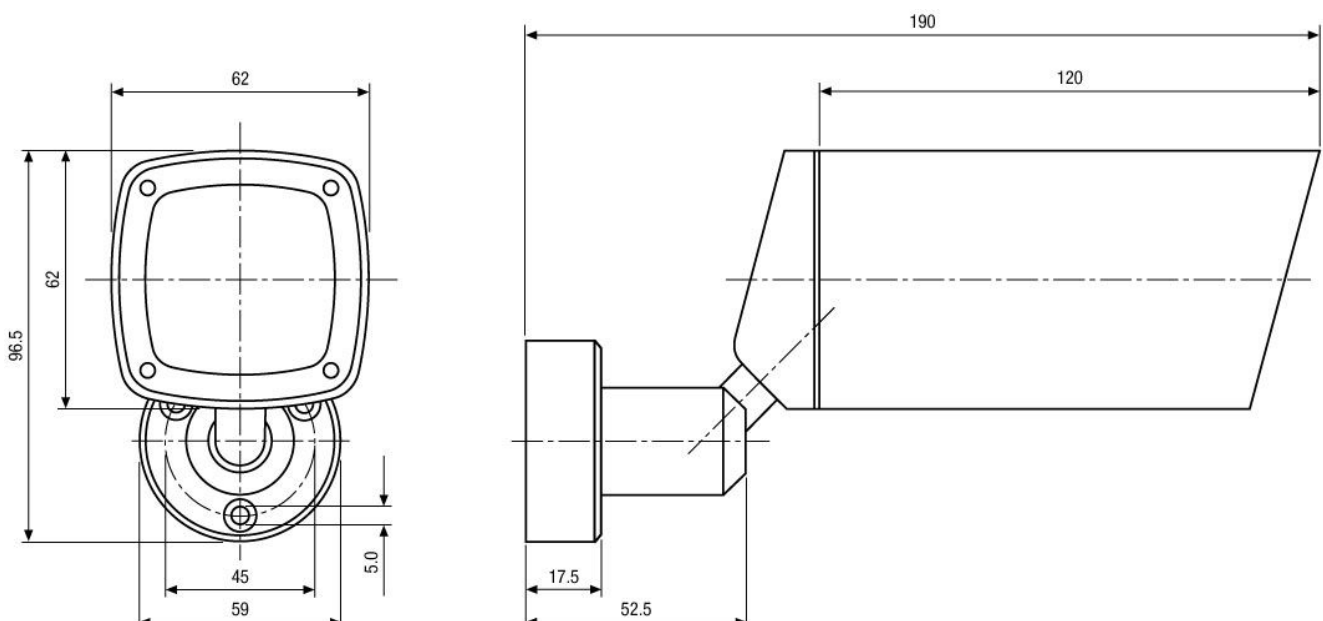
Specifications (continued)

Clear Shield	no
Dimensions (HxWxD)	See drawing
Weight	900g
Management Software Support	GL-Manager, Zelaris IP, Aimetis - Aira, NetAvis, Milestone XProtect Corporate
Certificates	CE

Optional Accessories

Image	Artikel-Nr. / Typ	Description
	VT-PS12DC-8	Plug-in Power Supply Unit 100-240VAC 12VDC (1.0Amp), Regulated, with DC Plug
	VT-PS12DC-10	Plugable AC/DC Adapter 100-240V/12VDC- 2.5A, stab., Cont. & UK Mains plug-ins
	VT-PS12DCDT1	PSU 12VDC/1.0A, Regulated, Desktop Version, 1.8m Cables each w. open ends

Technical Drawing





Your partner for eneo products:

