

GLC-1601

Home | Security | IP Cameras | Standard

GLC-1601
1/3" Network Day&Night Camera, 704x576, 12VDC,

PoE

Art-Nr. 91575



Lens is not included

Main Features

1/3" Super HAD Colour/B&W CCD Sensor
Horizontal Resolution of 480 TV Lines (colour)
Removable IR Cut Filter
MJPEG and MPEG-4 Video Compression
Simultaneous Video and Audio Signal Transmission
E-Mail and FTP Transmission of Important Events

Integrated Activity Detection
Ethernet Interface: 10/100Base-TX
Supports Various Network Environments
Alarm In/Output, Audio Output
Upgrade via SD Card, USB Interface and Network
SD Socket for Local Video Storage by SD Cards

Specifications

Series	eneo GL
System	day&night
Video standard	PAL
Sensor size	1/3"
Imager	CCD, Sony Super HAD Interline Transfer CCD (with HQ1 DSP)
Sensitivity (at 50% video signal)	1,2 Lux, (colour); 0,6Lux (B&W). Videor measurement result at F1.2
Horizontal resolution	480 TVL, (Colour), 510TVL (B&W)
Active picture elements	440,000, 752(H) x 582(V)
Automatic gain control (AGC)	24/30dB selectable
Automatic electronic shutter (ESC)	1/50 ~ 1/100,000sec.
Digital Noise Reduction (DNR)	no
Low Speed Shutter	no
Manual electronic shutter (MES)	1/1000sec. (fixed)

GLC-1601

(Continuation Spezifications)

White balance (AWB)	2500 ~9500K
Backlight compensation	BLC
Wide Dynamic Range (WDR)	no
IR cut filter	switchable
Mirror function (h/v)	Supplied
Privacy Zone	3 areas
Activity detection	yes, 96 zones, 5 levels sensitivity (MJPEG)
Picture adjustments	Max. AGC gain, Contrast, Brightness, BLC, Sharpness, Colour saturation and Fluorescent light
External connections	Video (BNC), Audio (BNC), USB1.1, Network (RJ-45), Alarm In/Out, Reset, Power input
Video outputs	CVBS, 1Vp-p, composite, 75ohms, BNC
Digital signature	M-JPEG watermark
Audio support	yes
Audio	Built-in Microphone, 16Bit, 8kHz
Alarm inputs	yes
Alarm output	1x open collector
Alarm handling	Automatic connection setup to a specified IP address (FTP)
Internal storage	no
Compression standard	MJPEG, MPEG4
Resolution max.	704 x 576
Resolution	704x576 (4CIF), 704x288 (2CIF), 352x288 (CIF)
MPEG4 Quality	5 fixed levels and customized Bitrate (from 8kBps ~8MBps)
Transmission rate (Network)	30(25), 24, 15 Fields/sec. (MPEG4 at all resolutions), 2.4MBit/sec. via Network
Image transm. rate max.	25 B./Sek.
Frame rate	25 frames/sec. max. PAL, (recording mode), Picture size: 4 - 64KB (M-JPEG)
Image display	Via Web Browser or Lan-Cam-Viewer Software
USB Interface	Supplied
Ethernet interface	10Base-T, 100Base-TX, RJ-45
Web browser	MS Internet Explorer Vers. 6.0
Network protocols	TCP/IP, DHCP, HTTP, ICMP, FTP, ARP, SMTP, DDNS, DNS, UPnP, PP-PoE
Lens mount	CS
Iris control	Manual iris, DC controlled iris
Secondary Storage	Via SD card
Memory card	SD card (for software upgrades as well)
Serial interfaces	RS-485
Access	10 Users simultaneous support
Software upgrade	SD card / USB / FTP

GLC-1601

(Continuation Specifications)

Operation protection	Multilevel and Multiuser - Password protected
Password protection	yes
PTZ Support	yes
Camera mount	1/4" - 20 UNC thread on bottom
Supply voltage	12VDC, PoE
Power over Ethernet	yes
Power consumption	approx. 6watts
Temperature range (Operation)	0 ~+50°C
Housing	Metal
Colour	Pantone 400U
Dimensions (HxWxD)	See drawing
Weight	360g
Parts supplied	Lan-Cam-Viewer Software, Power supply 230V/50Hz - 2A, C/CS mount ring, Manual
Management Software Support	Aimetis - Symphony, Zelaris IP, NetAvis, GL-Manager, Milestone XProtect Corporate
Certificates	CE

Optional accessories

45251	YV10X5HR4A-SA2L	F1,6/5-50mm Megapixel DC Lens, 1/3", Varifocal, No Focus Shift, CS Mount
43249	F07Z07NDDC-NFS	F1.3/7.5-50mm DC Lens/var. Focal Length with No Focus Shift, 1/3"CS Mount
76053	ZELARIS_IP S04	Server/Client Video Management Software Basic Version, 4 Camera Server license
47162	F0212M-NFS	F1.2/2.2mm Fixed Focal Length Lens with No Focus Shift, 1/3"CS Mount
76047	ZELARIS_IP HL-B	Control Room Client Software, Basic Version, Up to max. 1024 Channels
76056	ZELARIS_IP S04E	Software Extension for Zelaris_IP S04 for further 4 Cameras, max. 64 Cameras
76051	ZELARIS_IP V04	Video Management Software for Standalone Systems, Basic Version, 4 Cameras
76003	ZELARIS_IP VC	Client Version for Zelaris_IP Server for one Workstation
70769	WD-22	Wall Mount Bracket with Ball Joint, 1/4"Camera Fixing Screw, Beige Grey
43252	G04Z03M-NFS	F1.2/4.5-12.5mm Lens, Var. Focal Length with No Focus Shift, 1/2", CS Mount
70771	WD-23	Wall Mount Bracket with Ball Joint, 1/4"Camera Fixing Screw, Pantone 877
43239	A10Z04NDDC-NFS	F1.4/10-40mm DC Lens/var. Focal Length with No Focus Shift, 1/2"CS Mount

GLC-1601

43237	F03Z04NDDC-NFS	F1.4/2.8-11mm DC Lens/var. Focal Length No Focus Shift, 1/3"CS Mount
43251	G04Z03NDDC-NFS	F1.2/4.5-12.5mm DC Lens/variable Focal Length, No Focus Shift, 1/2"CS Mount
43238	F03Z2.710DC-NFS	F1.0/3-8mm DC Lens/var. Focal Length with No Focus Shift, 1/3"CS Mount
47154	F0812NDDC-NFS	F1.2/8mm DC Lens with No Focus Shift, 1/3"CS Mount
47148	F0412NDDC-NFS	F1.2/4mm DC Lens with No Focus Shift, 1/3"CS Mount
76058	ZELARIS_IP HL-E	Extension for Control Room Client for further up to 1024 Channels max.
43248	A04Z12NDDC-NFS	F1.2/4-12mm DC Lens/var. Focal Length with No Focus Shift, 1/2"C Mount
47149	F0612NDDC-NFS	F1.2/6mm DC Lens with No Focus Shift, 1/3"CS Mount
47161	F0212NDDC-NFS	F1.2/2.2mm DC Lens with No Focus Shift, 1/3"CS Mount
47159	F0812M-NFS	F1.2/8mm Fixed Focal Length Lens with No Focus Shift, 1/3"CS Mount
47158	F0612M-NFS	F1.2/6mm Fixed Focal Length Lens with No Focus Shift, 1/3"CS Mount
47157	F0412M-NFS	F1.2/4mm Fixed Focal Length Lens with No Focus Shift, 1/3"CS Mount
47156	F0312M-NFS	F1.2/2.8mm Fixed Focal Length Lens with No Focus Shift, 1/3"CS Mount
47147	F0312NDDC-NFS	F1.2/2.8mm DC Lens with No Focus Shift, 1/3"CS Mount
76001	ZELARIS V08	Digital Video Network Crosslink, 8 Inputs, not Extentable, USB 2.0 Dongle
76002	ZELARIS V16	Digital Video Network Crosslink, 16 Inputs, not Extentable, USB 2.0 Dongle

GLC-1601

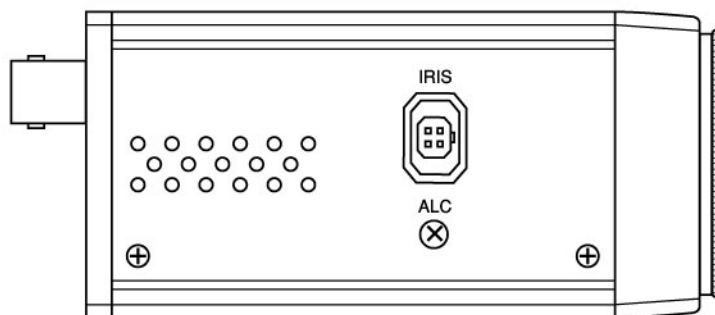
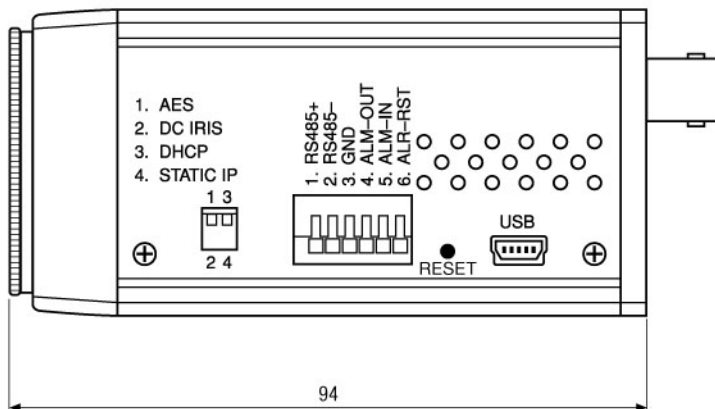
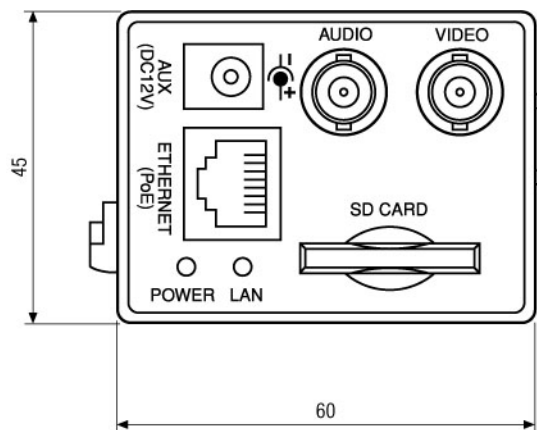
Product information

Viewer Software for the recording of upto 16 cameras GLC-1601 System requirements for the Viewer Software:- Standard PC with P-IV processor and >1.8GHz system clock- Windows 2000 or Win XP - Network connection 10/100 Base-Tx- Internet Explorer 5 or higher- Hard disk 80Gb, depend on recording demand- RAM 512Mb (recommended)

GLC-1601

Home | Security | IP Cameras | Standard

Technical drawing



Maße/Dimensions: mm