

# Video Security



## G0608NDDC-560

F0.8/6mm Aspherical DC Lens, F560,  
1/2" CS Mount

Art-No. 43231



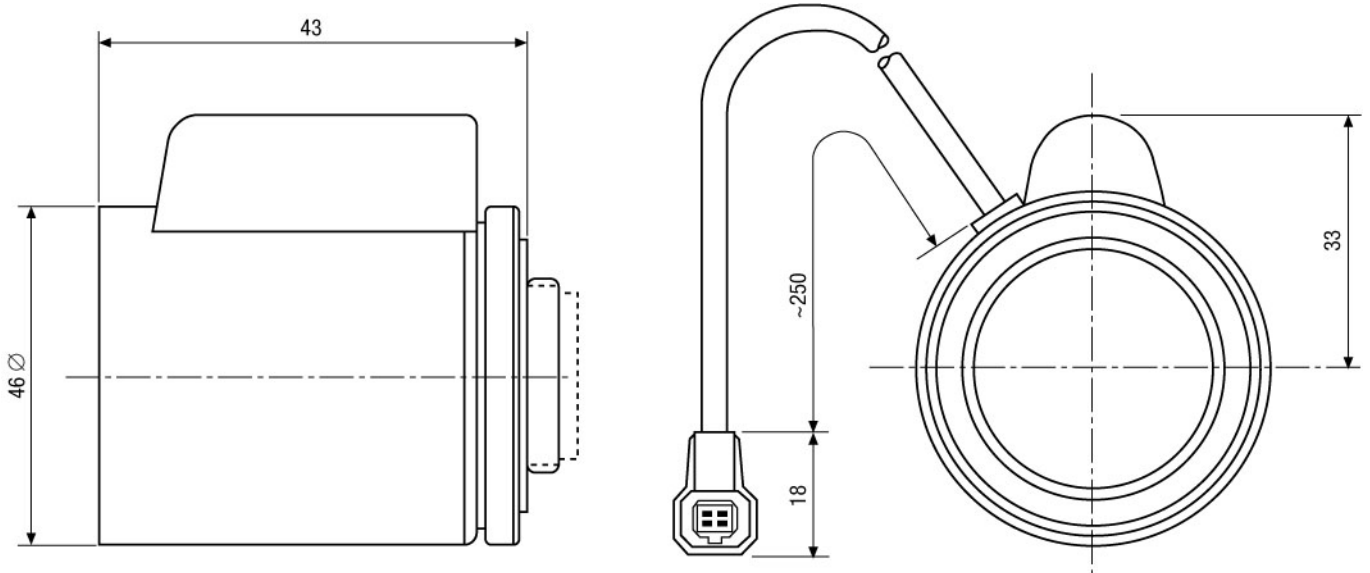
## Features

Suitable for 1/2" and 1/3" Colour and B&W Cameras  
High Standard of Optical and Mechanical Quality  
Aspherical Lens Elements  
Without Built-in Auto Iris Amplifier

With 4-pin Connector  
Adjustable Slip-ring Mount for Cable Positioning  
CS Mount

## Specifications

Nominal format size	1/2"
Focal length (f)	6.0mm
Aperture range (F)	0.8-560
Iris control system	Galvanometer
Horizontal angle of view at nominal format size	56.7°
Minimum object distance (M.O.D.)	0.25m
Flange focal length	12.5mm
Screw-in depth	B&W: 7.5mm / Colour: 3.5mm
Filter screw size	M40.5x0.5mm
Slip-ring mount	340°-360° Variable adjustment range
Cable length	Approx. 25cm
4-pin plug	Standard
Lens mount	CS
Temperature range	-20°C to +50°C
Dimensions (LxDxH)	See drawing
Weight	150g



Maße/Dimensions: mm