

# Video Security



## G04Z02NDDC

F1.8/4-10mm DC Lens, 1/2" CS Mount,  
Variable Focal Length

Art-No. 43133



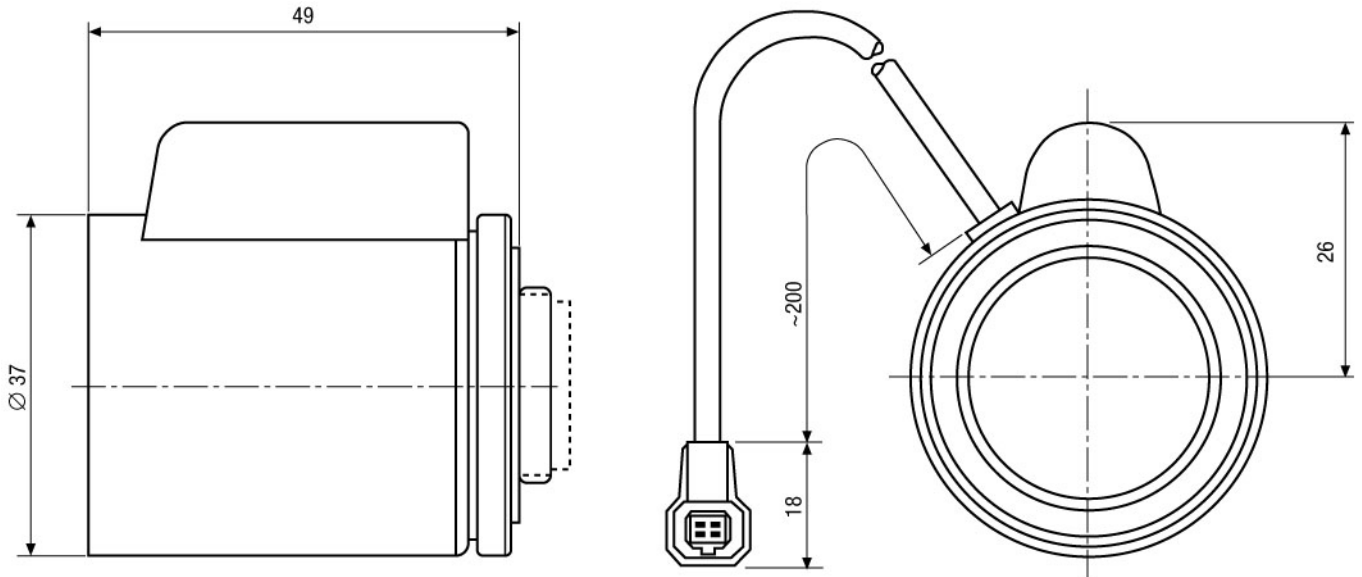
## Features

Suitable for 1/2" and 1/3" Colour and B&W Cameras  
CS Mount  
Variable Focal Length  
High Standard of Optical and Mechanical Quality

Without Built-in Auto Iris Amplifier  
4-pin Connector for DC Iris Control  
Adjustable Slip-ring Mount for Cable Positioning

## Specifications

Nominal format size	1/2"
Focal length (f)	4-10 mm
Aperture range (F)	F1.8-F125
Iris control system	Galvanometer
Horizontal angle of view at nominal format size	94.8°-37.3°
Minimum object distance (M.O.D.)	0.3 m
Flange focal length	12.5 mm
Screw-in depth	4.5 mm
Filter screw size	-
Slip-ring mount	340°-360° Variable adjustment range
Cable length	Approx. 20 cm
Temperature range	-20°C to +50°C
Dimensions (LxDxH)	49x37x26 mm
Weight	90 g



Maße/Dimensions: mm