

Video Security

Lenses | Lenses with IR Cut Filter

G04Z02NDDC/IRSF

F1.8/4-10mm DC Lens with IR-Filter,
variable focal Length, 1/2" CS Mount

Art-No. 43192



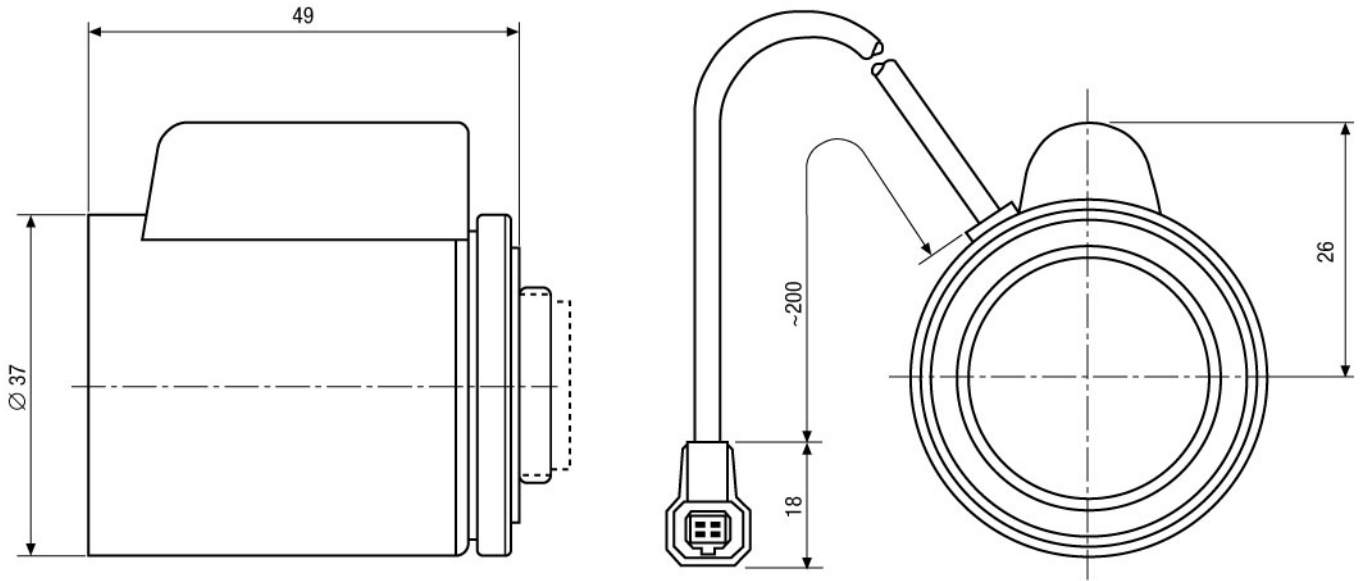
Features

Suitable for 1/2" and 1/3" Colour and B&W Cameras
Variable Focal Length
With Integrated IR Cut Filter
CS Mount

High Standard of Optical and Mechanical Quality
Without Built-in Auto Iris Amplifier
With 4-pin Connector
Adjustable Slip-ring Mount for Cable Positioning

Specifications

Nominal format size	1/2"
Focal length (f)	4-10 mm
Aperture range (F)	F1.8-F125
Iris control system	Galvanometer
Horizontal angle of view at nominal format size	94.8°-37.3°
Minimum object distance (M.O.D.)	0.3 m
Flange focal length	12.5 mm
Screw-in depth	4.5 mm
Filter screw size	-
Slip-ring mount	340°-360° Variable adjustment range
Cable length	Approx. 20 cm
4-pin plug	Standard
Lens mount	CS
Temperature range	-20°C to +50°C
Dimensions (LxDxH)	49x37x26 mm
Weight	90 g
Special feature	Built-in IR cut filter



Maße/Dimensions: mm