

AI Controlled Lenses

FDP-No. : 43141

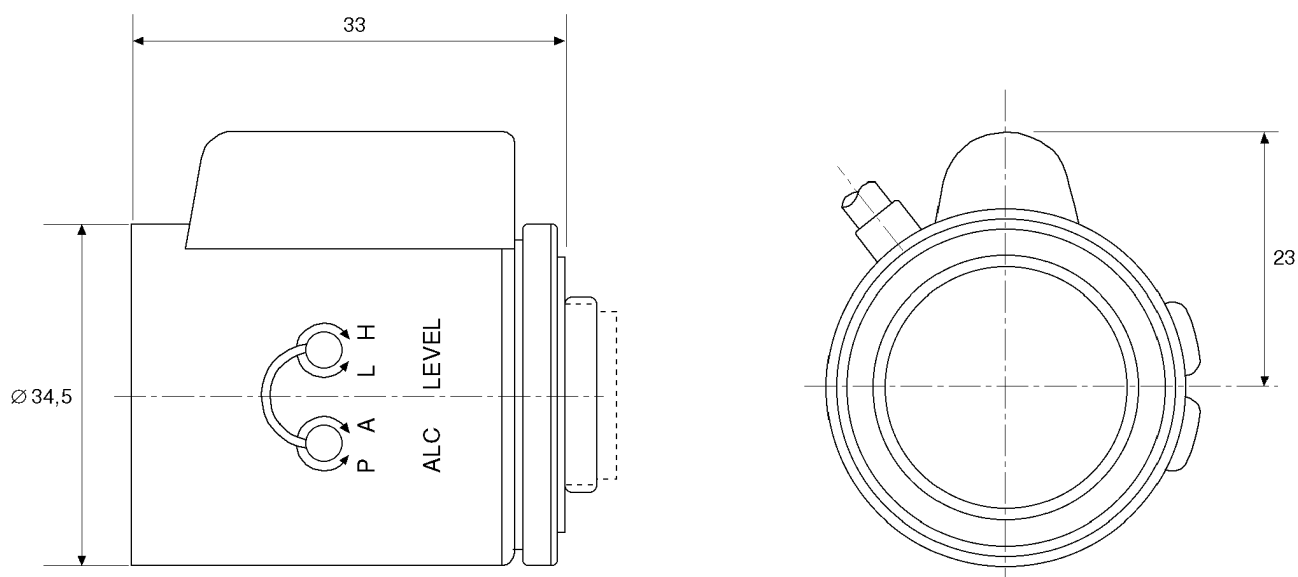
G0414NDAI

- Suitable for 1/2" and 1/3" Colour and B&W Cameras
- CS Mount
- High Standard of Optical and Mechanical Quality
- Built-in Auto Iris Amplifier
- Adjustable Slip-ring Mount for Cable Positioning



Specifications:

| | |
|---|-------------------------------------|
| Focal length (f) | 4.5 mm |
| Aperture range (F) | F1.4-F125 |
| Mount | CS |
| Nominal format size | 1/2" |
| Flange focal length | 12.5 mm |
| Horizontal angle of view at nominal format size | 79.6° |
| Minimum object distance (M.O.D.) | 0.2 m |
| Screw-in depth | 4.5 mm |
| Filter screw size | M30.5x0.5 mm |
| Slip-ring mount | 340°-360° Variable adjustment range |
| Iris control system | Galvanometer |
| Supply voltage | 8-16 VDC |
| Input signal range | 0.5 to 1.0 Vp-p (C)CVS |
| Max. current consumption | 35 mA |
| Response time | <2 sec. |
| Accuracy at +20°C | +/-15 % |
| Cable length | 350 mm |
| Dimensions (LxDxH) | 33x34.5x23 mm |
| Temperature range | -20°C to +50°C |
| Weight | 42 g |



Maße/Dimensions: mm

e-mail: info@eneo-security.com • www.eneo-security.com