

Video Security



F1616NDAI

F1.6/16mm AI Lens, 1/3" CS

Art-No. 43204



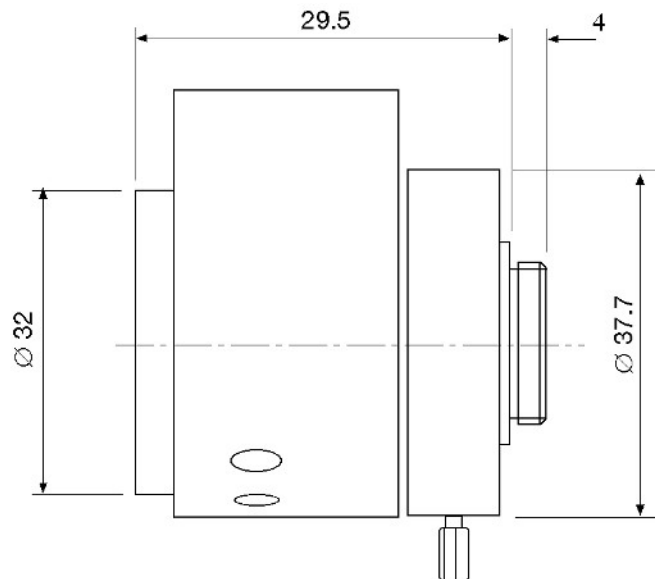
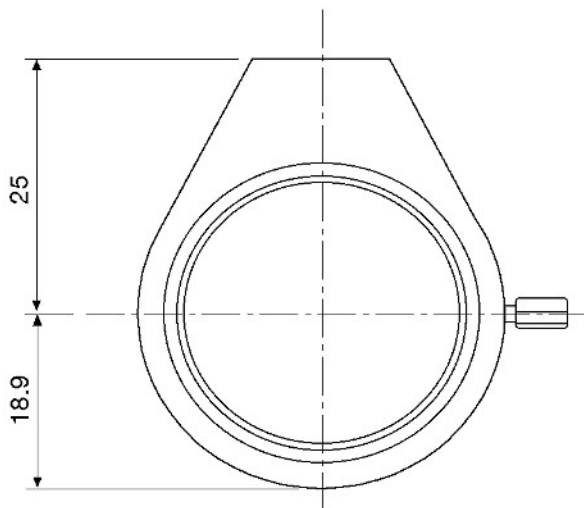
Features

Suitable for 1/2" and 1/3" Colour and B&W Cameras
CS Mount
High Standard of Optical and Mechanical Quality

Built-in Auto Iris Amplifier
Adjustable Slip-ring Mount for Cable Positioning

Specifications

Focal length (f)	16 mm
Aperture range (F)	F1.6-F360
Lens mount	CS
Nominal format size	1/3"
Flange focal length	12.5 mm
Horizontal angle of view at nominal format size	17.6°
Minimum object distance (M.O.D.)	0.7 m
Screw-in depth	4.0 mm
Filter screw size	-
Slip-ring mount	340°-360° Variable adjustment range
Iris control system	Galvanometer
Input signal range	0.5 to 1.0 Vp-p (C)CVS
Response time	<2 sec.
Accuracy at +20°C	+/-15 %
Max. current consumption	Max. 30 mA
Cable length	350 mm
Dimensions (LxDxH)	29.5x37.3x25 mm
Temperature range	-10°C to +50°C
Weight	48 g



VIDEOR TECHNICAL E. Hartig GmbH
 Carl-Zeiss-Straße 8 · 63322 Rödermark · Germany
 Telefon +49 (0) 60 74/8 88-0 · Telefax +49 (0) 60 74/8 88-100
 info@videortechnical.com · www.videortechnical.com