

Video Security

Lenses | Fixed Focal Length Lenses

F0812NDDC

F1.2/8mm DC Lens, 1/3" CS Mount

Art-No. 47125



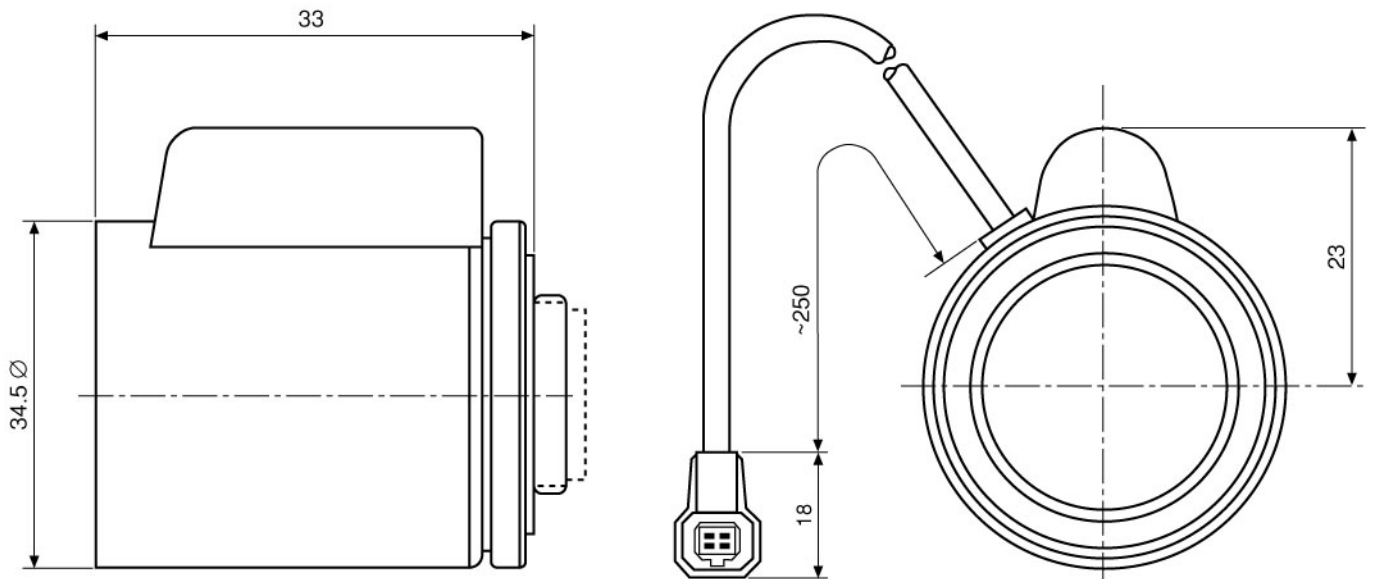
Features

Suitable for 1/2" and 1/3" Colour and B&W Cameras
CS Mount
High Standard of Optical and Mechanical Quality

Without Built-in Auto Iris Amplifier
4-pin Connector for DC Iris Control
Adjustable Slip-ring Mount for Cable Positioning

Specifications

| | |
|---|-------------------------------------|
| Nominal format size | 1/3" |
| Focal length (f) | 8mm |
| Aperture range (F) | F1.2-F125 |
| Iris control system | Galvanometer |
| Horizontal angle of view at nominal format size | 34.7° |
| Minimum object distance (M.O.D.) | 0.2m |
| Flange focal length | 12.5mm |
| Screw-in depth | 5.5mm |
| Filter screw size | M30x05mm |
| Slip-ring mount | 340°-360° Variable adjustment range |
| Cable length | Approx. 25cm |
| 4-pin plug | Standard |
| Lens mount | CS |
| Temperature range | -20°C ~ +50°C |
| Dimensions (LxDxH) | 33x34.5x23mm |
| Weight | 39g |



Maße/Dimensions: mm

VIDEOR TECHNICAL E. Hartig GmbH
Carl-Zeiss-Straße 8 · 63322 Rödermark · Germany
Telefon +49 (0) 60 74/8 88-0 · Telefax +49 (0) 60 74/8 88-100
info@videortechnical.com · www.videortechnical.com