

Video Security



F05Z30NDDC

F1.8/5.5-165mm DC Motor Zoom Lens,
1/3" CS Mount

Art-No. 40231



Features

Suitable for 1/2" and 1/3" Colour and B&W Cameras
CS Mount
DC Controlled Iris
Without Built-in Auto Iris Amplifier

High Standard of Optical and Mechanical Quality
Quality Motors on Focus and Zoom
Adjustable Slip-ring Mount for Cable Positioning
4-pin Connector for DC Iris Control

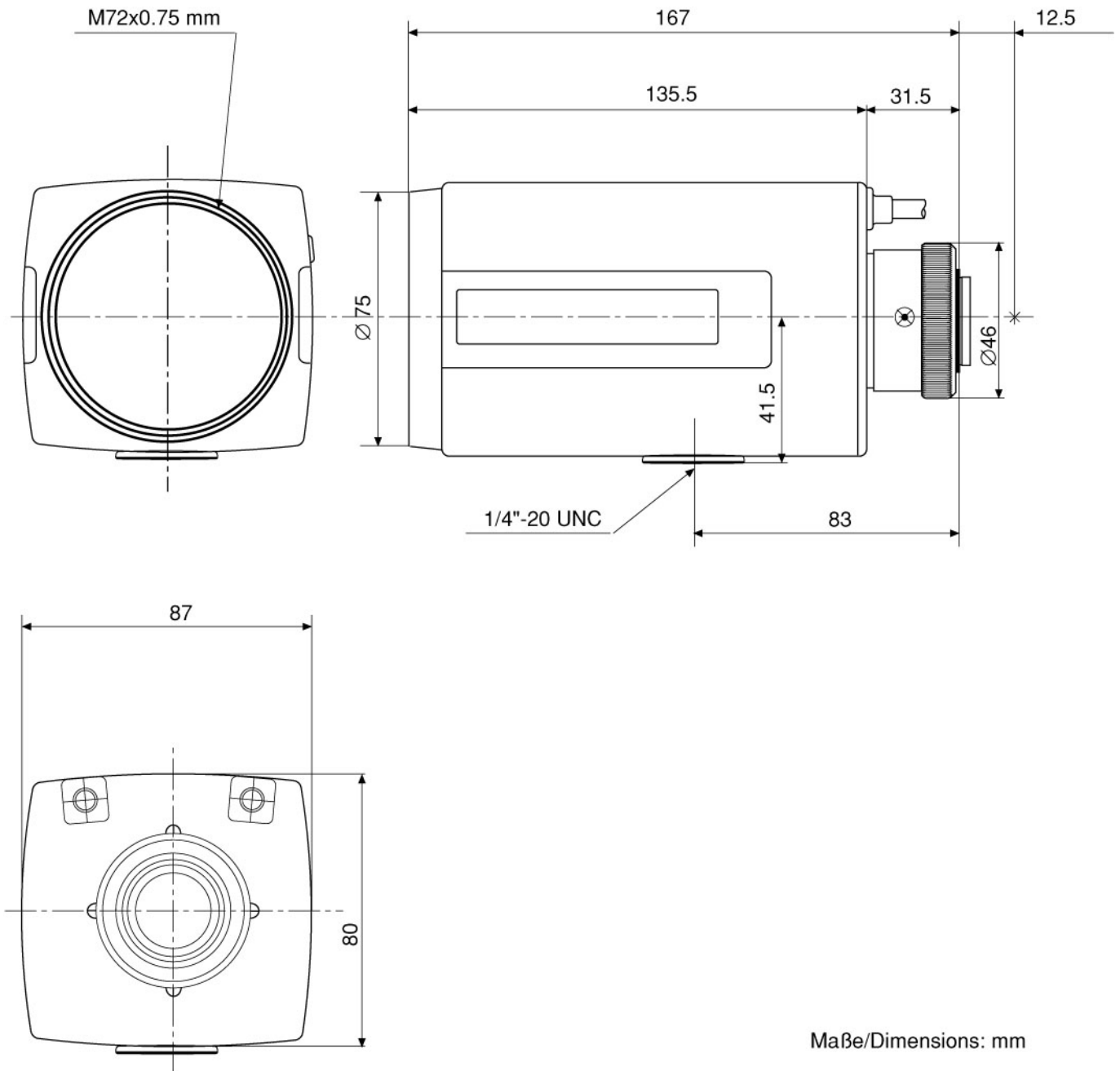
Specifications

Nominal format size	1/3"
Focal length (f)	5.5-165 mm
Aperture range (F)	F1.8-F360
Iris control system	Galvanometer
Horizontal angle of view at nominal format size	47.6°-1.7°
Minimum object distance (M.O.D.)	1.8 m
Flange focal length	12.5 mm
Screw-in depth	4.0 mm
Filter screw size	M72x0.75 mm
Slip-ring mount	340°-360° Variable adjustment range
Cable length	>50 cm
Supply voltage range	8.0 VDC +/-20%
Max. current consumption/motor (run)	25 mA
Response time	Approx. 6 sec. (at 8 V)
Motor clutch on focus/zoom	Yes
Potentiometer on focus and zoom	No
Connection	Cable length: 20 cm, with 4-pin DC plug
Lens mount	CS
Temperature range	-10°C to +50°C
Dimensions (HxWxD)	See drawing

(Specifications continued)

Weight

850 g



VIDEOR TECHNICAL E. Hartig GmbH
 Carl-Zeiss-Straße 8 · 63322 Rödermark · Germany
 Telefon +49 (0) 60 74/8 88-0 · Telefax +49 (0) 60 74/8 88-100
 info@videortechnical.com · www.videortechnical.com

