

# F05Z10M-MP

Home | Security | Lenses | Varifocal

F05Z10M-MP  
F1.4/5-50mm Megapixel Lens with variable Focal Length,  
1/3" CS Mount

Art-Nr. 43263



## Main Features

Suitable for 1/3" and Cameras >1MPixels  
Variable Focal Length  
Aspherical Lens Elements

CS Mount  
High Standard of Optical and Mechanical Quality

## Specifications

Lens type	varifocal
Application range	megapixel (max. 1.3 MP)
Aspherical technology	yes
Nominal format size	1/3"
Flange focal length	12.5mm
Mount	CS
Focal length	5 mm - 50 mm
Horizontal angle of view	53,8° - 5,5°
MOD (Minimum object distance)	1 m
Aperture range (F)	F1.4~C
Iris control	manual
Screw-in depth	4.0mm
Filter screw size	not available
Temperature range (Operation)	-20°C ~+60°C
Length	60,2 mm
Diameter	46 mm

# F05Z10M-MP

(Continuation Spezifications)

---

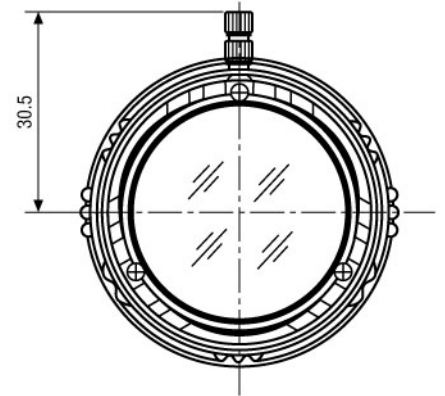
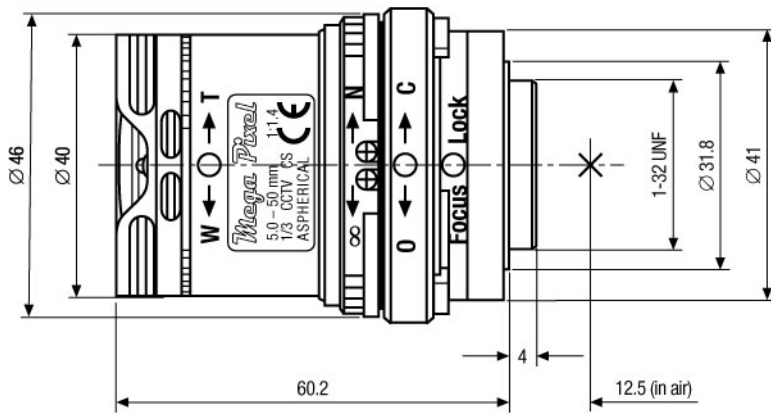
**Weight**

65g

# F05Z10M-MP

Home | Security | Lenses | Varifocal

## Technical drawing



Maße/Dimensions: mm