

# Video Security



## F04Z0310NDDC

F1.0/3.5-10.5 DC Lens, 1/3" CS Mount,  
Variable Focal Length

Art-No. 43214



## Features

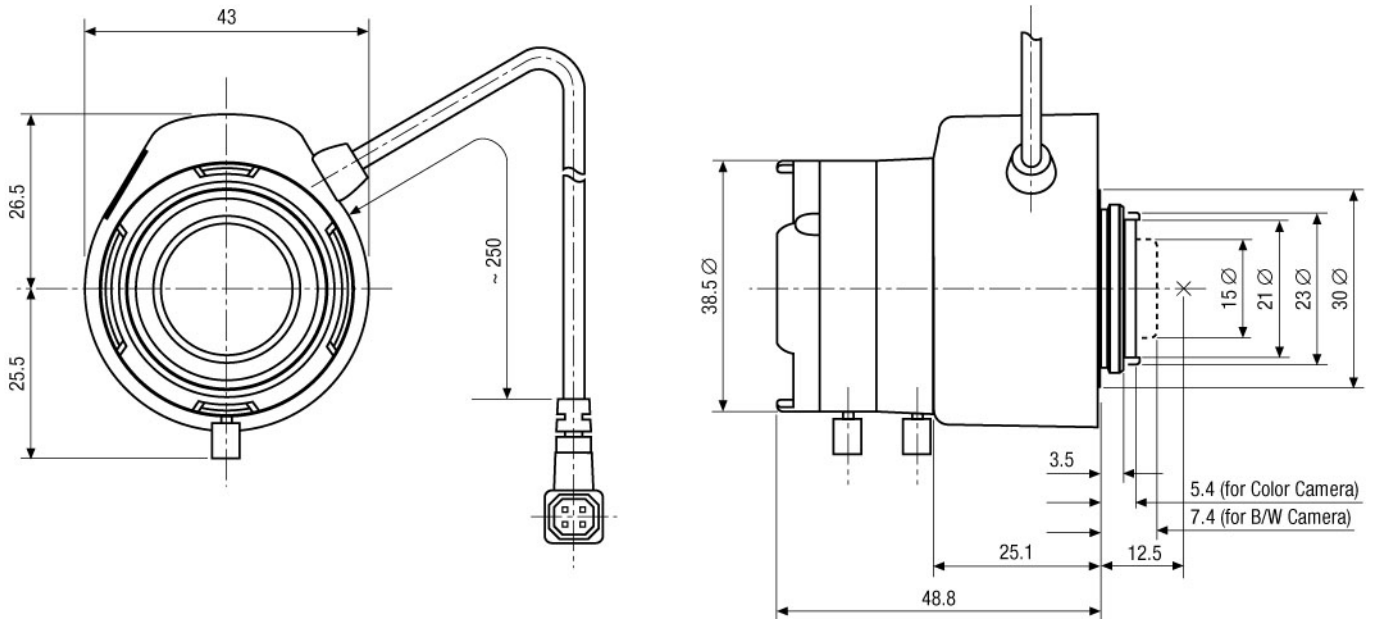
Suitable for 1/3" and 1/4" Colour and B&W Cameras  
CS Mount  
Variable Focal Length  
High Standard of Optical and Mechanical Quality

Without Built-in Auto Iris Amplifier  
4-pin Connector for DC Iris Control  
Adjustable Slip-ring Mount for Cable Positioning

## Specifications

Nominal format size	1/3"
Focal length (f)	3.5-10.5 mm
Aperture range (F)	F1.0-F260
Iris control system	Galvanometer
Horizontal angle of view at nominal format size	81.6°-27.2°
Minimum object distance (M.O.D.)	0.3 m
Flange focal length	12.5 mm
Screw-in depth	Colour: 5.4 mm; B&W: 7.4 mm*)
Filter screw size	-
Slip-ring mount	340°-360° Variable adjustment range
Cable length	Approx. 25 cm
4-pin plug	Standard
Lens mount	CS
Temperature range	-20°C to +50°C
Dimensions (LxDxH)	See drawing
Weight	65 g
Remarks	Lockable focus and zoom ring

\*) Not suitable for the Fujitsu cameras TCZ-264C and TCZ-294C



Maße/Dimensions: mm

VIDEOR TECHNICAL E. Hartig GmbH  
 Carl-Zeiss-Straße 8 · 63322 Rödermark · Germany  
 Telefon +49 (0) 60 74/8 88-0 · Telefax +49 (0) 60 74/8 88-100  
 info@videortechnical.com · www.videortechnical.com