

Video Security



F04Z02NDAI

F1.4/3.5-8mm AI Lens, 1/3" CS Mount,
Variable Focal Length

Art-No. 43164



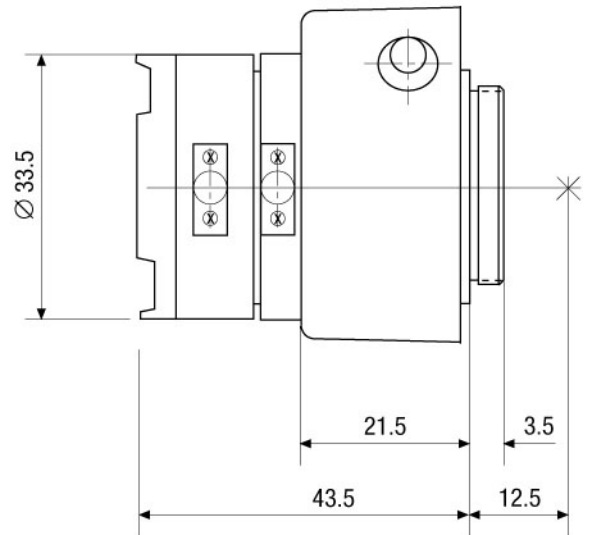
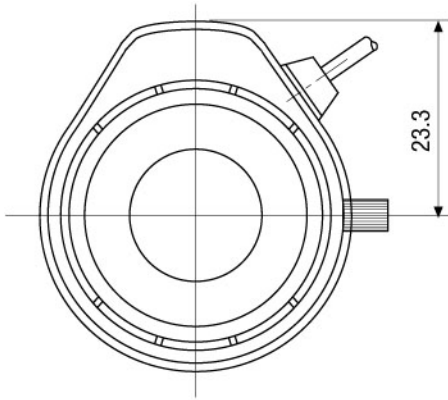
Features

Suitable for 1/2" and 1/3" Colour and B&W Cameras
CS Mount
Variable Focal Length

High Standard of Optical and Mechanical Quality
Built-in Auto Iris Amplifier
Adjustable Slip-ring Mount for Cable Positioning

Specifications

Focal length (f)	3.5-8 mm
Aperture range (F)	F1.4-F130
Lens mount	CS
Nominal format size	1/3"
Flange focal length	12.5 mm
Horizontal angle of view at nominal format size	77.6°-35.4°
Minimum object distance (M.O.D.)	0.4 m
Screw-in depth	3.5 mm
Filter screw size	-
Slip-ring mount	340°-360° Variable adjustment range
Iris control system	Galvanometer
Input signal range	0.5 to 1.0 Vp-p (C)CVS
Response time	Approx. 2.0 sec.
Accuracy at +20°C	+/-15 %
Max. current consumption	35 mA
Cable length	350 mm
Dimensions (LxDxH)	43.5x33.5x23.3 mm
Temperature range	-20°C to +50°C
Weight	53 g



Maße/Dimensions: mm

VIDEOR TECHNICAL E. Hartig GmbH
 Carl-Zeiss-Straße 8 · 63322 Rödermark · Germany
 Telefon +49 (0) 60 74/8 88-0 · Telefax +49 (0) 60 74/8 88-100
 info@videortechnical.com · www.videortechnical.com

