

Video Security

Lenses | Fixed Focal Length Lenses

F0412NDDC

F1.2/4mm DC Lens, 1/3" CS Mount

Art-No. 47124



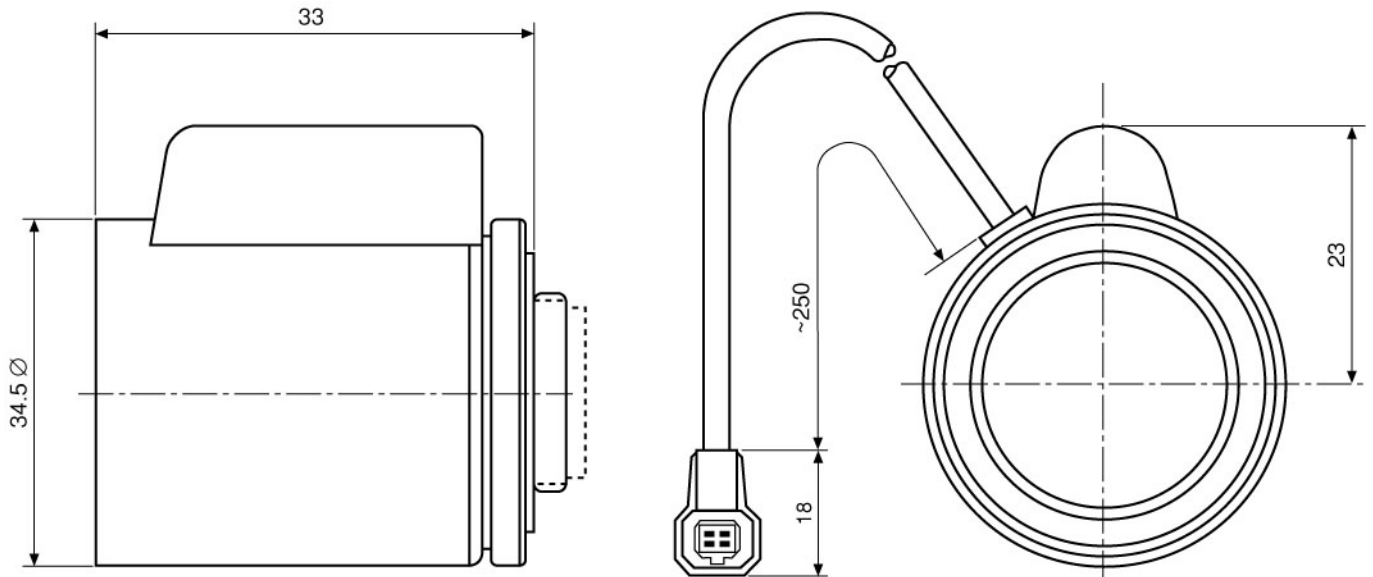
Features

Suitable for 1/2" and 1/3" Colour and B&W Cameras
CS Mount
High Standard of Optical and Mechanical Quality

Without Built-in Auto Iris Amplifier
4-pin Connector for DC Iris Control
Adjustable Slip-ring Mount for Cable Positioning

Specifications

Nominal format size	1/3"
Focal length (f)	4 mm
Aperture range (F)	F1.2-F125
Iris control system	Galvanometer
Horizontal angle of view at nominal format size	64°
Minimum object distance (M.O.D.)	0.2 m
Flange focal length	12.5 mm
Screw-in depth	5.2 mm
Filter screw size	M30x0.5 mm
Slip-ring mount	340°-360° Variable adjustment range
Cable length	Approx. 25 cm
4-pin plug	Standard
Lens mount	CS
Temperature range	-20°C to +50°C
Dimensions (LxDxH)	33x34.5x23 mm
Weight	38 g



Maße/Dimensions: mm

VIDEOR TECHNICAL E. Hartig GmbH
Carl-Zeiss-Straße 8 · 63322 Rödermark · Germany
Telefon +49 (0) 60 74/8 88-0 · Telefax +49 (0) 60 74/8 88-100
info@videortechnical.com · www.videortechnical.com