

# Video Security

Lenses | Fixed Focal Length Lenses

## F0412NDAI

F1.2/4mm AI Lens, 1/3" CS Mount

Art-No. 43137



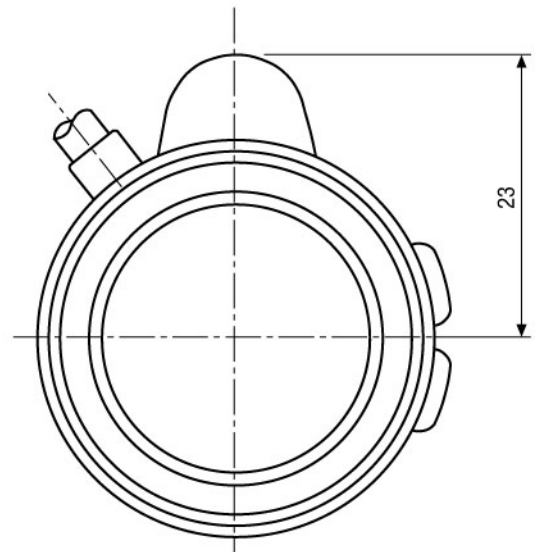
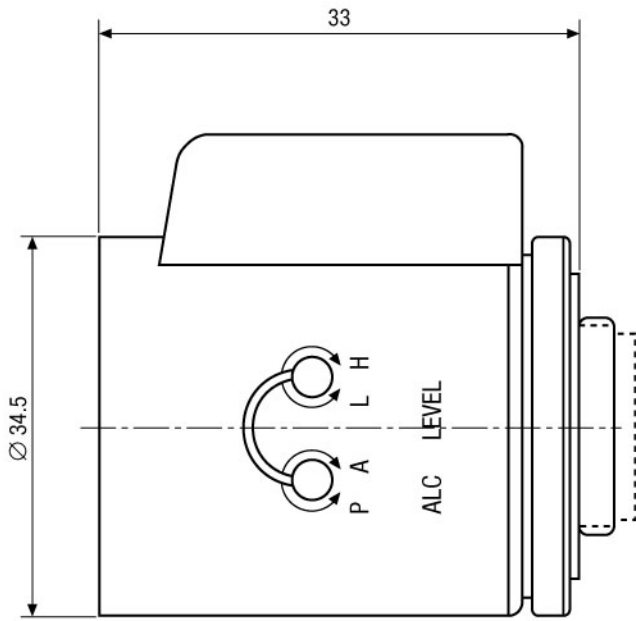
## Features

Suitable for 1/2" and 1/3" Colour and B&W Cameras  
CS Mount  
High Standard of Optical and Mechanical Quality

Built-in Auto Iris Amplifier  
Adjustable Slip-ring Mount for Cable Positioning

## Specifications

|   |                                     |
|---|-------------------------------------|
| Focal length (f)                                | 4 mm                                |
| Aperture range (F)                              | F1.2-F125                           |
| Lens mount                                      | CS                                  |
| Nominal format size                             | 1/3"                                |
| Flange focal length                             | 12.5 mm                             |
| Horizontal angle of view at nominal format size | 64°                                 |
| Minimum object distance (M.O.D.)                | 0.2 m                               |
| Screw-in depth                                  | 5.2 mm                              |
| Filter screw size                               | M30.5x0.5 mm                        |
| Slip-ring mount                                 | 340°-360° Variable adjustment range |
| Iris control system                             | Galvanometer                        |
| Input signal range                              | 0.5 to 1.0 Vp-p (C)CVS              |
| Response time                                   | <2 sec.                             |
| Accuracy at +20°C                               | +/-15 %                             |
| Max. current consumption                        | 35 mA                               |
| Cable length                                    | 350 mm                              |
| Dimensions (LxDxH)                              | 33x34,5x23 mm                       |
| Temperature range                               | -20°C to +50°C                      |
| Weight  | 42 g                                |



Maße/Dimensions: mm