

F03Z2.710NDDCMP

Home | Security | Lenses | Varifocal

F03Z2.710NDDCMP
F1.0/3-8mm Megapixel DC Lens with variable Focal Length,
1/3" CS Mount

Art-Nr. 43262



Main Features

Suitable for 1/3" and Cameras up to 1.3 MPixels
Variable Focal Length
Aspherical Lens Elements
CS Mount

High Standard of Optical and Mechanical Quality
4-pin Connector for DC Iris Control
Adjustable Slip-ring Mount for Cable Positioning

Specifications

Lens type	varifocal
Application range	megapixel (max. 1.3 MP)
Aspherical technology	yes
Nominal format size	1/3"
Flange focal length	12.5mm
Mount	CS
Focal length	3 mm - 8 mm
Horizontal angle of view	92,5° - 35,4°
MOD (Minimum object distance)	1 m
Aperture range (F)	F1.0~F250
Iris control	DC
Iris control system	Galvanometer
Screw-in depth	4.0mm
Filter screw size	not available
Cable length	approx. 25cm

F03Z2.710NDDCMP

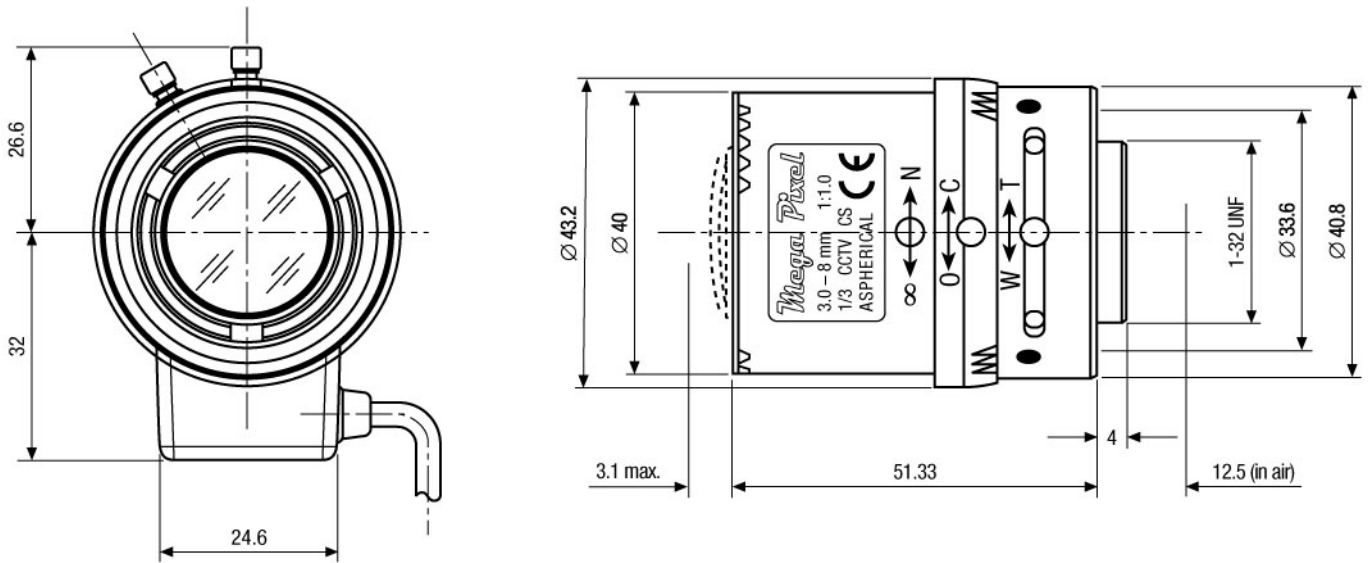
(Continuation Spezifications)

4-pin plug	Standard
Temperature range (Operation)	-20°C ~+60°C
Length	54,4 mm
Diameter	43,2 mm
Radius	32 mm
Dimensions (LxDxH)	See drawing
Weight	75g

F03Z2.710NDDCMP

Home | Security | Lenses | Varifocal

Technical drawing



Maße/Dimensions: mm