



## F03Z2.6DC-NFSHR

Article-No.: 43274

F1.0/3-8mm DC Lens, Varifocal, No Focus Shift, High Resolution, 1/3" CS Mount

### Mainfeatures

Suitable for 1/3" and 1/4" day&night cameras  
High resolution realizing 650 TV lines  
Minimized chromatic aberration  
Aspherical lens elements  
CS mount

Variable focal length/Fast maximum aperture (F1.0)  
Clear images without colour smear  
No-focus-shift between visible and near IR light  
LD (Low Dispersion) glass  
Without built-in auto iris amplifier

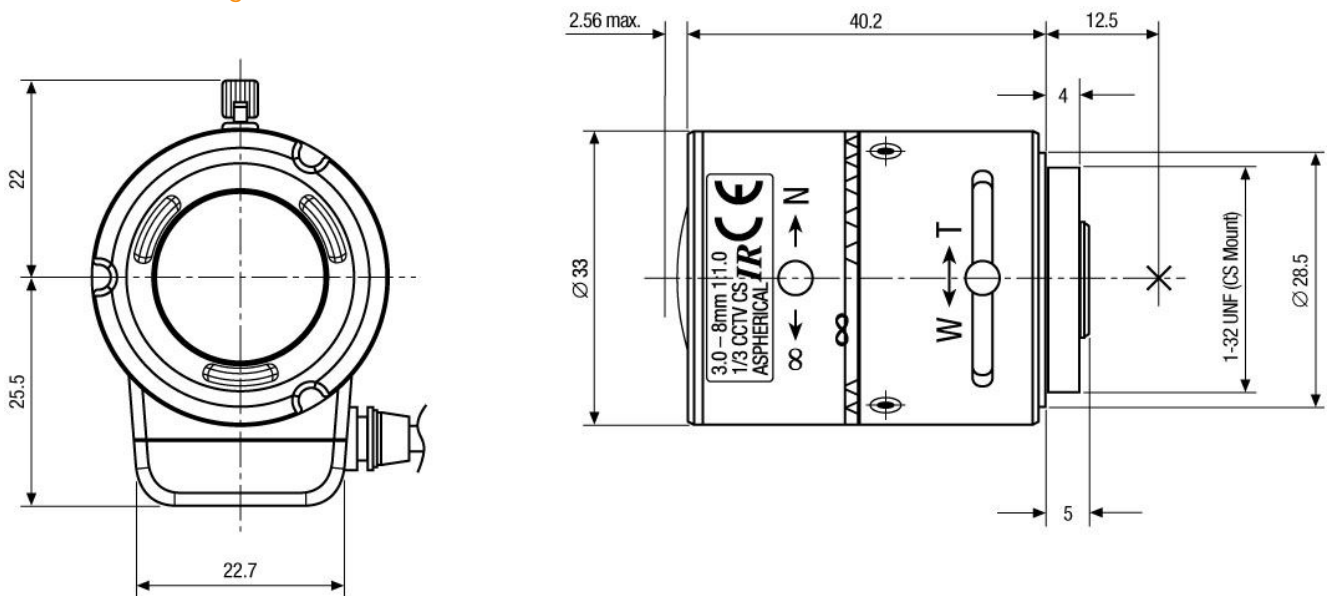
### Specifications

Lens type	varifocal
Day/Night	yes
Megapixel	no
Aspherical technology	yes
Nominal format size	1/3"
Flange focal length	12.5mm
Mount	CS
Focal length	3 mm - 8 mm
Horizontal angle of view	92,5° - 35,4°
MOD (Minimum object distance)	0,3 m
Aperture range (F)	F1.0-F360
Iris control	DC
Focus constant range	+0.05mm at f4,0; +0.015mm at f5.5mm; +0.05mm at f8mm (Focus deviation at switch-over to IR light at 850nm)
Resolution	650 TV lines
Screw-in depth	4.0mm
Filter screw size	not available
Cable length	approx. 20cm

## Specifications (continued)

4-pin plug	Standard
Temperature range (operation)	-20°C ~ +60°C
Length	54,4 mm
Diameter	43,2 mm
Radius	32 mm
Dimensions (HxWxD)	see drawing
Colour	Antracite
Weight	75g

## Technical Drawing



Maße/Dimensions: mm



Your partner for eneo products:

