

Video Security



F03Z04NDDC

F1.4/2.8-12mm DC Lens, 1/3" CS Mount,
Variable Focal Length

Art-No. 43213



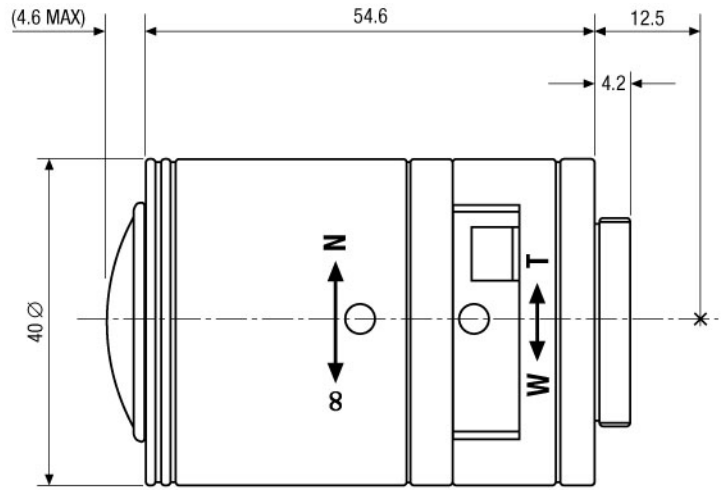
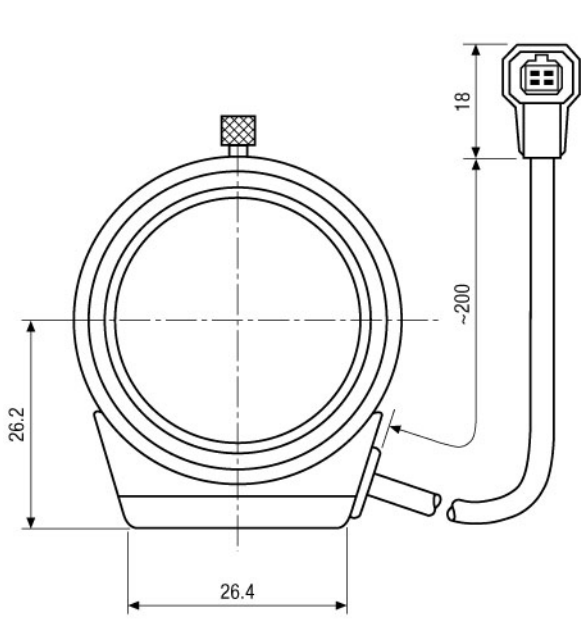
Features

Suitable for 1/3" and 1/4" Colour and B&W Cameras
Variable Focal Length
Aspherical Lens Elements
CS Mount

High Standard of Optical and Mechanical Quality
Without Built-in Auto Iris Amplifier
4-pin Connector for DC Iris Control
Adjustable Slip-ring Mount for Cable Positioning

Specifications

Nominal format size	1/3"
Focal length (f)	2.8-12 mm
Aperture range (F)	F1.4-F260
Iris control system	Galvanometer
Horizontal angle of view at nominal format size	97.4°-24.1°
Minimum object distance (M.O.D.)	0.3 m
Flange focal length	12.5 mm
Screw-in depth	4.2 mm
Filter screw size	-
Slip-ring mount	340°-360° Variable adjustment range
Cable length	Approx. 20 cm
4-pin plug	Standard
Lens mount	CS
Temperature range	-20°C to +50°C
Dimensions (LxDxH)	See drawing
Weight	79 g



Maße/Dimensions: mm

VIDEOR TECHNICAL E. Hartig GmbH
 Carl-Zeiss-Straße 8 · 63322 Rödermark · Germany
 Telefon +49 (0) 60 74/8 88-0 · Telefax +49 (0) 60 74/8 88-100
 info@videortechnical.com · www.videortechnical.com

