

Video Security

Lenses | Varifocal Lenses

F02Z02NDDC

F1.6/1.8-3.6mm DC Lens, 1/3" CS Mount,
Variable Focal Length

Art-No. 43199



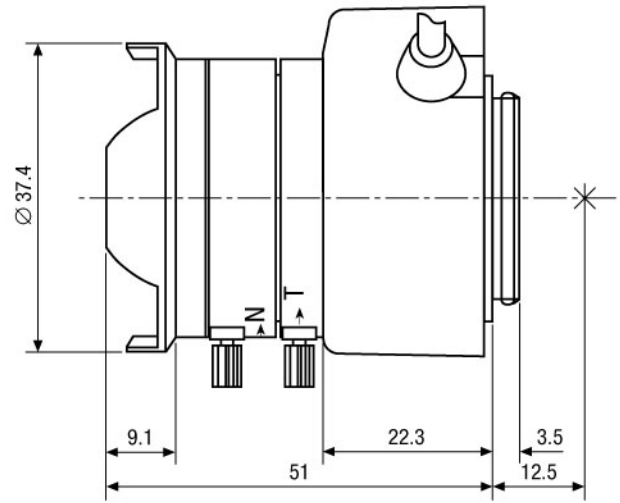
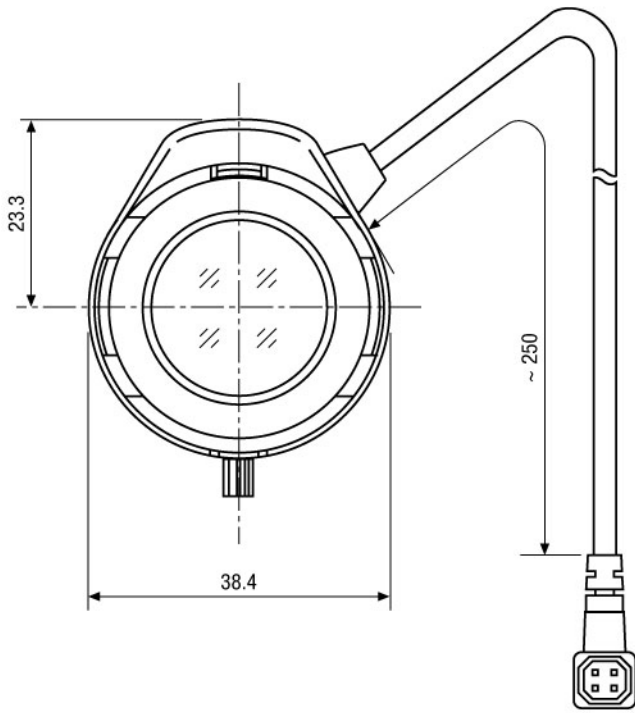
Features

Suitable for 1/3" and 1/4" Colour and B&W Cameras
CS Mount
Variable Focal Length
High Standard of Optical and Mechanical Quality

Without Built-in Auto Iris Amplifier
4-pin Connector for DC Iris Control
Adjustable Slip-ring Mount for Cable Positioning

Specifications

Nominal format size	1/3"
Focal length (f)	1.8-3.6 mm
Aperture range (F)	F1.6-F360
Iris control system	Galvanometer
Horizontal angle of view at nominal format size	144.2-79.4°
Minimum object distance (M.O.D.)	0.2 m
Flange focal length	12.5 mm
Screw-in depth	3.5 mm
Filter screw size	-
Slip-ring mount	340°-360° Variable adjustment range
Cable length	Approx. 20 cm
4-pin plug	Standard
Lens mount	CS
Temperature range	-20°C to +50°C
Dimensions (LxDxH)	51x37.4x23.3 mm
Weight	78 g



Maße/Dimensions: mm

VIDEOR TECHNICAL E. Hartig GmbH
 Carl-Zeiss-Straße 8 · 63322 Rödermark · Germany
 Telefon +49 (0) 60 74/8 88-0 · Telefax +49 (0) 60 74/8 88-100
 info@videortechnical.com · www.videortechnical.com

