



EKR-KB1

Article-No.: 75207

Universal Keyboard for Matrix Switchers
EKR Series, Pantone Coolgray 1C

Mainfeatures

Operation of EKR-(8)16/4 , EKR-32/8 Matrixes
Camera and Monitor Call-Up
LCD Display
RS-485 Serial Interface

Fixed or Variable Speed Control
Programmable Sequences/Salvos and Tours
Addressable
Supply Voltage: 12VDC

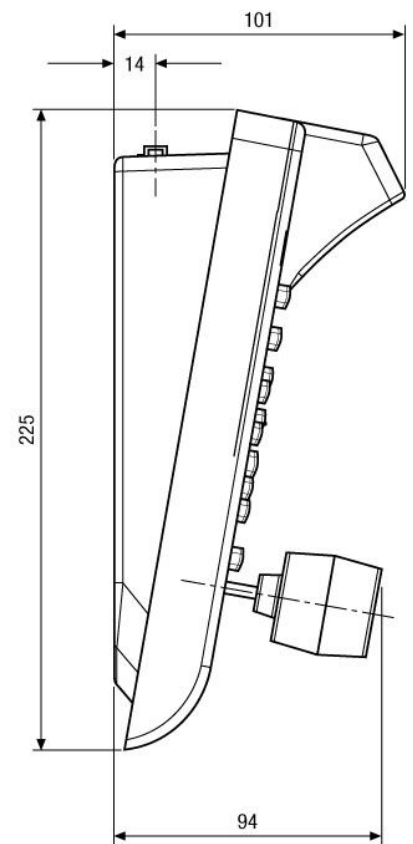
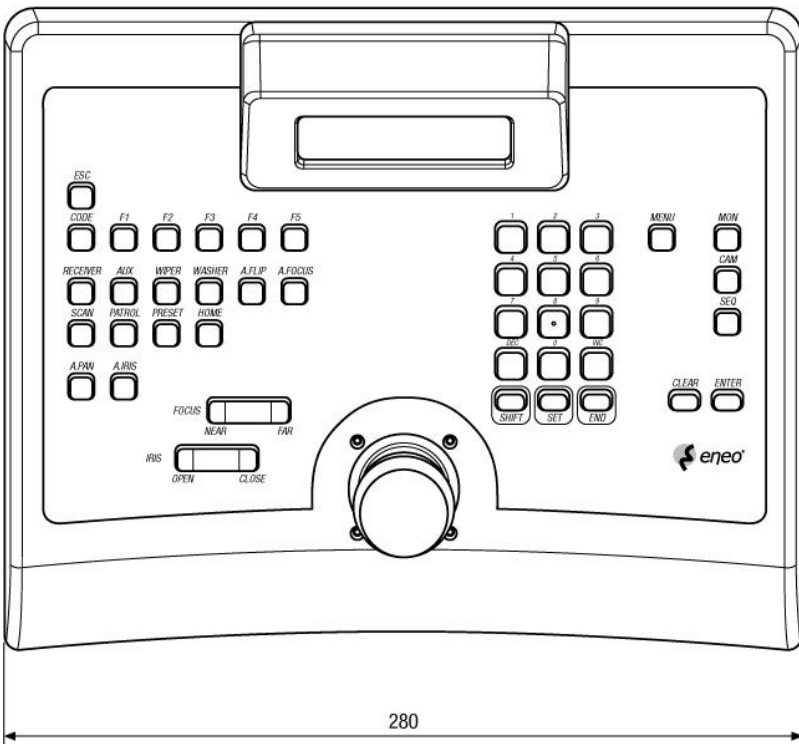
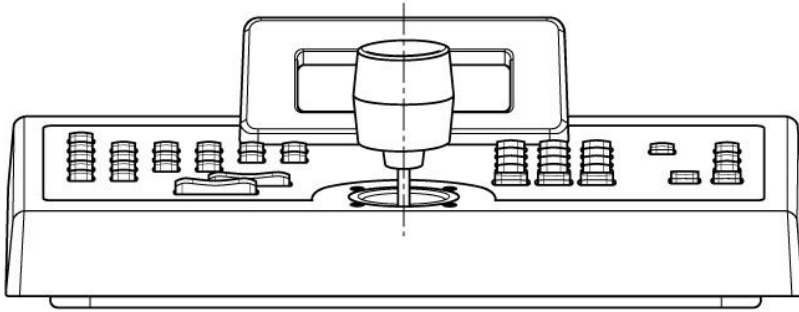
Specifications

Joystick	3-axis proportional joystick for manual control of variable speed
Direct mode	Via RS-485, RJ-11 interface for the P/T head series VPT-41/-42 and for Dome cameras from eneo, Pelco, Elbex, Ernitec, Elmo, JVC, Panasonic, Samsung, Santec, Sensormatic, Star, VCL, and others
Macro function	Up to 10 free configurable virtual keys for macro functions
Control functions	Keys select cameras and monitors, operate presets, patterns, auxiliaries, and sequences. Camera functions: pan, tilt, zoom, focus, iris for fixed or variable speed control of pan and tilt heads and dome cameras
PC Interfaces	RS-232 for firmware update
Control Interface	1x RS-485 for Matrix and Multiplexer control. 2x RS-485 for independent daisy-chain control of up to 999 telemetry receivers each, via 1200m max. distance
Menu languages	English, German, French, Italian
Backup	Set-up and firmware update via RS-232 Interface (Distance of up to 15m max.)
Password protection	3 password levels: connection, set-up, alarm reset

Specifications (continued)

Supply voltage	12VDC (Power supply 100-240VAC included)
Housing	Thermo-resistant and shock proof ABS plastic
Colour	White finish
Weight	1.7kg
Parts supplied	Wide range power supply, Power and RJ-11 cables, RJ-11 shunt box, German/English manual (other languages upon request)
Certificates	CE

Technical Drawing





Your partner for eneo products:

