



EDMC/CWB-1

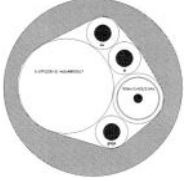

Article-No.: 74155

Wall or Pendant Mount Kit f. Dome Camera
Series EDMC, NTD, NLD, NXD & VKCD-1375



Specifications

Load capacity	5.0kg
Cable connection	We recommend a multicore cable with approx. 10mm diam., for example the eneo MCAB-1, edp no. 87404
Connection	1" PT thread
Protection rating	IP65 (in conjunction with the cable #87404 only)
Housing	Aluminium, Pipes: Steel
Colour	Pantone Cool Gray 1C
Weight	1.2kg

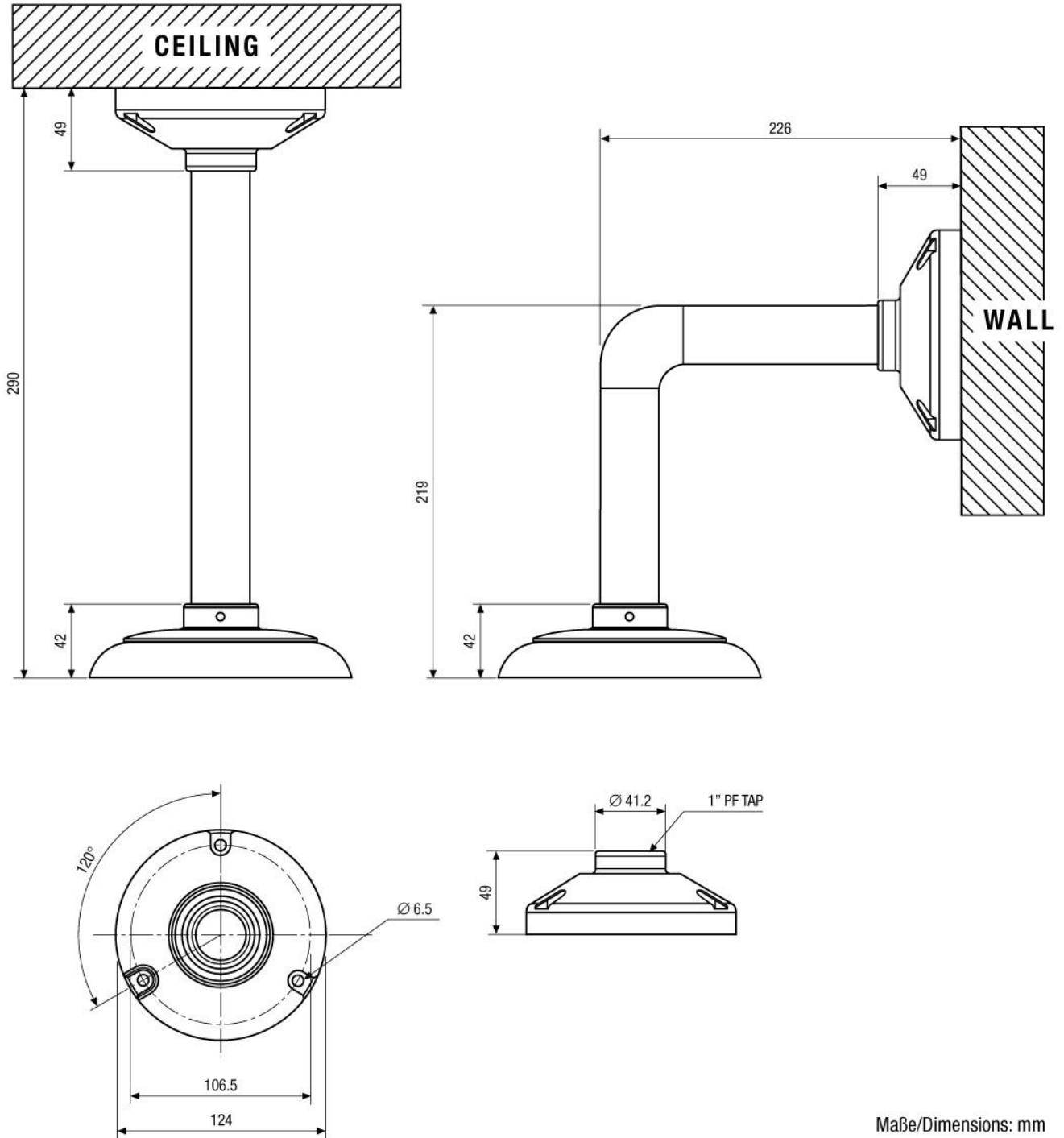
Optional Accessories

Image	Artikel-Nr. / Typ	Description
	MCAB-1	Camera/PT Head Connecting Cable, for Video, Power, RS -Control, Network, 1m
	EDC-CMA2	Corner Mount Adapter for EDC-IPx1/OPx1 Housings and Wall Bracket EDC/WMB1

Optional Accessories (continued)

Image	Artikel-Nr. / Typ	Description
	EDC-PM7	Pole Mount Adapter for EDC-IPx1/OPx1 Housings and Wall Bracket EDC/WMB1
	EDMC-RTB	Roof Mount Bracket for Minitrax Camera Series, Outdoor Installation

Technical Drawing



Maße/Dimensions: mm



Your partner for eneo products:

