



## EDMC-3221

Article-No.: 74225

1/4" Dome, PTZ, Day&Night, clear, 22x,  
3.9-85.8mm, WDR, 580TVL, 12VDC/24VAC

### Mainfeatures

Vandal resistant PTZ day&night mini dome camera  
Panning angle: 360° continuous rotation  
120 presets / 4 auto scan courses / Autopan  
On-screen menu control and camera ID display  
High and low speed shutter (MES/DSS)

Zoom lens: F1.6/3.9-85.8mm  
Horizontal speed range: 380°/sec. max.  
4 tours with 4 presets each / Home position  
Removable IR cut filter  
Powerful digital noise reduction (3D/2D DNR)

### Specifications

Series	eneo Minitrax
Video standard	CCIR/PAL
System	day&night
Sensor size	1/4"
Imager	CCD
Imager	Sony ExView HAD Interline Transfer
Synchronization	internal, AC line lock
Sensitivity (at 50% video signal)	0,33 Lux
Sensitivity (at 50% video signal)	(colour); 0.17Lux (B&W) at F1.2 (measured)
Horizontal resolution	580 TVL
Automatic electronic shutter (ESC)	1/50 - 1/100,000sec.
Manual electronic shutter (MES)	1/50 - 1/100,000sec.
Low speed shutter	yes
Low speed shutter	2 - 50 fps.
Digital Noise Reduction (DNR)	yes
Digital Noise Reduction (DNR)	2D & 3D
Flickerless function	yes

## Specifications (continued)

Mirror function	180° rotation
White balance	modes: manually, automatic, indoor, outdoor
Backlight compensation	BLC
Backlight compensation	ON/OFF switchable
Wide Dynamic Range (WDR)	yes
Wide Dynamic Range (WDR)	54dB
Aperture Correction (APC)	horizontal and vertical
IR cut filter	switchable
Speed (manual control)	380 °/Sek.
Speed range at manual control (pan)	0.1° ~ 380°/sec. (Proportional to zoom)
Speed range at manual control (tilt)	0.1° ~ 200°/sec. (Proportional to zoom)
Preset speed	380 °/Sek.
Rotation range	360°
Tilt range	180° (Digital Flip)
Patterns	4 patterns up to 200sec. total
Tours	Up to 4 User programmable guard tours
Autoscan	4 User programmable auto scans, 1x Autopan
Proportional pan and tilt	Continually decreases pan and tilt speeds in proportion to depth of zoom
Auto flip function	Rotates dome camera's picture by 180° at bottom of tilt travel (Digital Flip)
Programmable park position	Included (with multiple park actions)
Auto calibration	yes
Video outputs	composite (CVBS)
Video outputs	1Vp-p (C)VBS, 75ohms, BNC
Lens type	zoom
Focal length	3,9 mm - 85,8 mm
Horizontal angle of view	44,6° - 3,2°
Digital zoom	16x
Aperture range (F)	F1.6 (3.7) ~ F140
Iris control	DC
MOD (Minimum object distance)	1,0 m
Filter screw size	not available
Alarm outputs	1
Illumination	no
Activity detection	yes
Motion detector	in preset mode only
Analysis Functions	no
Menu languages	German, English, French, Italian, Spanish, Polish, Portugese
Text display	12 character labels, ON/OFF switchable
External adjustments	ID, Baud rate, Termination and protocol type switches
Serial interfaces	RS-485
Serial interfaces protocols	Fastrax IIE, Pelco D, Pelco P
Temperature range (operation)	-10°C ~ +50°C
Heater	no
Protection rating	IP66
Supply voltage	12VDC, 24VAC
Supply voltage	(+/-10%)


## Specifications (continued)

Power consumption	12W
Vandalism resistant	yes
Bubble	4.3" (110mm), Acryl/clear
Colour (bubble)	clear
Mounting	ceiling mount
Housing	outdoor
Housing material	aluminium
Colour (housing)	Pantone Cool Gray 1C
Dimensions (HxWxD)	see drawing
Parts supplied	dome camera, mounting plate, bag of screws, plug set, manual
Certificates	CE, IK10

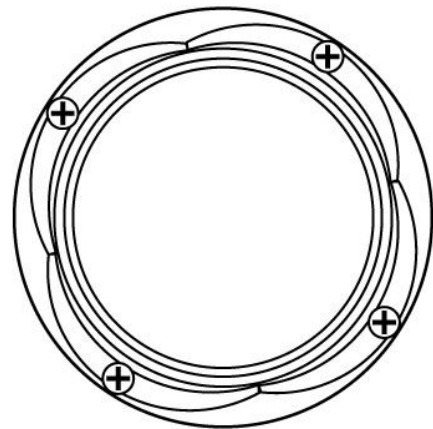
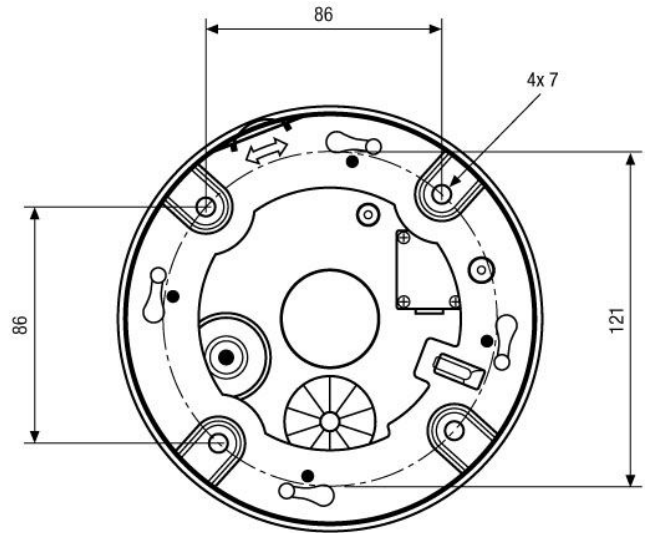
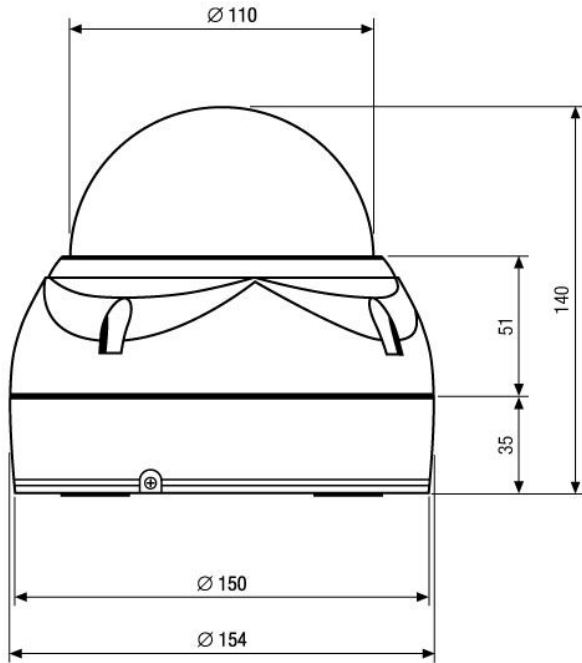
## Optional Accessories

Image	Artikel-Nr. / Typ	Description
	NE-128	Voltage supply unit 230V/24VAC-5A, IP66
	NE-132/AC24V	Power Supply Unit 230VAC/24VAC (1.0A)
	EDC-KBD1	System Keyboard with 3-axis Joystick, 12VDC
	KBD-NSC-100	Network System Controller with 3-Axis Joystick and Jog Shuttle, 5VDC
	KBD-2	System Keyboard with 3-Axis Joystick and Jog Shuttle, 12VDC

## Optional Accessories (continued)

Image	Artikel-Nr. / Typ	Description
	EDC-KBDM-3	System Keyboard w. Joystick, 5" Monitor 12VDC, Fastrax Protocol
	EDC-CR1	Converter RS-232/RS-485, Repeater RS-485
	EDC-COAX	Coax Telemetry Board for VPT-501/601, EDC/EDMC Series assembled
	FASTRAX_CONFIG	Configuration Software for Eneo Fastrax, Minitrax Dome Cameras and VKC-1416
	EDMC/CWB-1	Wall or Pendant Mount Kit f. Dome Camera Series EDMC, NTD, NLD, NXD & VKCD-1375

## Technical Drawing



Maße/Dimensions: mm

Your partner for eneo products:

