

Video Security



EDMC-142

1/4" Colour High Speed Mini Dome Camera
with 10x Zoom Lens, 24VAC, 430TVL

Art-No. 74116



Features

1/4" Vandal Proof PTZ Colour Dome Camera
10x Optical and 10x Digital Zoom (100x Total)
Zoom Lens: F1.6/3.15-31.5mm
Horizontal Pan Range: 0 to 359°
Horizontal Speed Range: 0 to 120°/sec.
60 Presets / 4 Auto Scan Courses

4 Tours with 4 Presets each / Home Position
On-screen Menu Control and Camera ID Display
High Speed Shutter (AES)
Automatic and Manual White Balance (ATW)
RS-485 Interface
Supply Voltage: 12VDC/24VAC

Specifications

Temperature range with built-in heater	-20°C ~ +40°C
Imager	1/4" 752 (H) x 582 (V) pixels (Sony Super HAD Colour CCD)
Sensitivity	1.5Lux at F1.6; 0.85Lux at F1.2 (VT measurement result)
Horizontal resolution	430 TV lines
Backlight compensation (BLC)	ON/OFF switchable
Exposure modes	Automatic or manual mode, Iris priority, Shutter priority
Picture adjustments	Brightness (90 steps), Sharpness (15 steps), Mirror
Camera mount	Ceiling mount or using EDMC/CWB wall and ceiling bracket
High-speed shutter (ESC)	1/50 ~ 1/10,000sec.
Alarm input	1
Adresses	Up to 63 Dome ID's
Speed range at manual control (pan)	120°/sec. max.
Speed range at manual control (tilt)	120°/sec. max.
Rotation range	0 ~ 359°
Tilt range	0° ~ 90°
Preset positioning	60 presets

EDMC-142

(Specifications continued)

Backlash	+/-0.1°
Tours	Up to 4 User programmable guard tours with 4 presets each
Autoscan	4 User programmable auto scans. Speed: 7°/sec
Digital signal processing (DSP)	Yes
Signal-to-noise ratio	48dB
Automatic gain control (AGC)	Automatic, 30dB max. (ON/OFF switchable)
Synchronization	Internal/AC line lock
White balance	Modes: Manual, Automatic, Indoor, Outdoor
Video output	1Vp-p, CVBS, 75ohms, BNC
Zoom range	F1.6~F32/3.15 ~ 31.5mm (10x optical, 10x digital zoom)
Horizontal angle of view	60° (Wide); 6.5° (Tele end)
Iris control	Auto iris (F1.6 ~ F32), with manual override
Focus control	Automatic with manual override
Menu driven set-up	ON/OFF switchable
Text display	Available
Menu languages	English
Alarm processing	Runs to pre-selected position
Bubble	3.5" (88mm), clear acrylic plastic
Control interfaces	RS-485, 9600Baud, 63 camera ID addresses selectable. Besides the keyboard control via the eneo EDC-KBD(M) series, the control via matrix switchers and keyboards with Pelco D protocol is possible.
Keyboard control	Direct mode control with Eneo EDC-KBD(M) keyboard series, or in conjunction with the eneo Triplex Multiplexer series VBMT/VCMT-8000 and DVR series DLR(2) and DXR
Remote control	Camera remote settings via keyboard
Operation protection	Available
Supply voltage	12VDC/24VAC, 50/60Hz
Power consumption	10.0watts max.
Temperature range	-10°C ~ +40°C
Protection rating	IP65
Housing	Weather proof Aluminium housing
Colour	Pantone Coolgray 1C
Dimensions (HxWxD)	See drawing
Weight	1.3kg

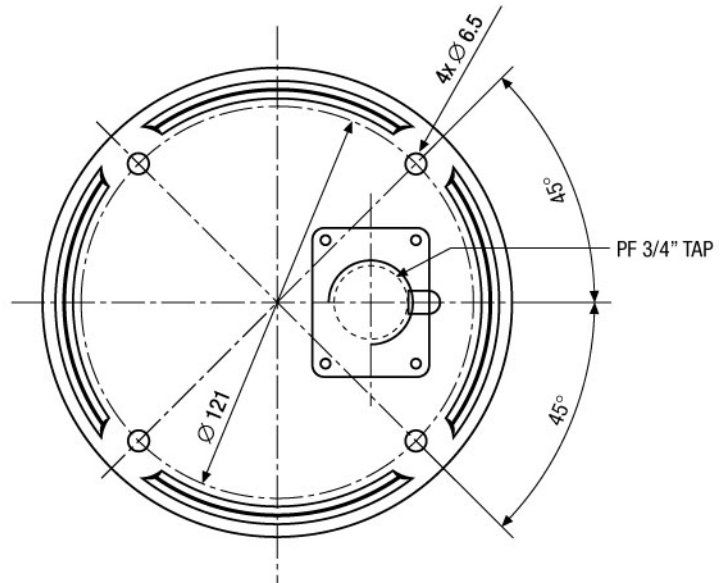
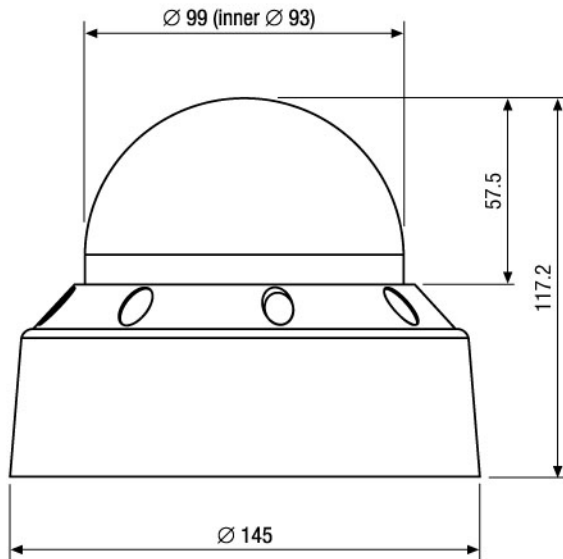
Accessories

74088 / EDC-KBD1	System Keyboard with 3-axis Joystick, 12VDC/230VAC
74089 / EDC-CR1	Converter RS-232/RS-485, Repeater RS-485
74092 / EDC-KBDM-3	System Keyboard w. Joystick, 5" Monitor 12VDC/230VAC
74099 / EDMC/H12	Low Voltage Heater Kit 12V/10W for Minitrax Series
74097 / EDMC/CWB	Wall or Pendant Mount Kit for EDMC Dome Camera and WDDG-1 Series
70449 / NE-128	Voltage supply unit 230V/24VAC-5A, IP66

(Accessories continued)

74094 / EDC-COAXCoax Telemetry Board for VPT-41/42, EDC/EDMC Series.
assembled**74104 / EDMC/H24**

Low Voltage Heater Kit 24V/10W for Minitrax Series



Maße/Dimensions: mm

VIDEOR TECHNICAL E. Hartig GmbH
 Carl-Zeiss-Straße 8 · 63322 Rödermark · Germany
 Telefon +49 (0) 60 74/8 88-0 · Telefax +49 (0) 60 74/8 88-100
 info@videortechnical.com · www.videortechnical.com

