

Video Security

Dome Cameras | eneo Fastrax Plug & Play Dome Systems

EDCH-144E/C-AKS

1/4" D&N 26x HiSpeed Dome Camera, Bubble Power&Connection Box, 24VAC, 480TVL

Art-No. 74142



Features

Vandalism Resistant Colour/B&W Dome Camera
26x Optical and 12x Digital Zoom (264 Total)
Zoom Lens F1.6/3.5-91mm / Removable IR Cut Filter
High und Low Speed Shutter
80 Presets / 2 Patterns / Digital Flip
4 Tours and 4 Autopans

8 Dynamic Window Blanking (Privacy Zones)
RS-485 Interface
Supply Voltage 18 to 30VAC, 50/60Hz
Outdoor Housing with clear Bubble
Sunshield, Heater and Blower Kit included
Power & Connection Box EDC-AKS1 as Accessory

Specifications

Video standard	CCIR/PAL
System	day&night
Sensor size	1/4"
Imager	CCD, 1/4" 758 (H) x 582 (V) pixels (ExView CCD)
Synchronization	Internal/AC line lock, phase adjustment via remote control
Signal-to-noise ratio	50dB
Sensitivity (at 50% video signal)	0,3Lux, 0.3Lux, Colour 0,16Lux B&W. VT measurement result at F1.2
Horizontal resolution	480TVL
Speed (manual control)	90°/Sek.
Speed range at manual control (pan)	0.1° ~ 90°/sec., Turbo: 360°/sec. (Proportional to the zoom position)
Speed range at manual control (tilt)	0.1° ~ 90°/sec. (Proportional to the zoom position)
Preset speed	360°/Sek.
Rotation range	continuous: 360°
Tilt range	-10° ~ +90°
Preset positioning	128 presets with 8 character labels each

(Specifications continued)

Backlash	0.2°
Patterns	4 patterns: 1x up to 60sec., or 3x up to 60sec. in total
Tours	Up to 4 User programmable guard tours
Autoscan	4 User programmable auto scans
Proportional pan and tilt	8 zones (programmable in size) can be labelled with up to 20 characters each or set to output blank video
Auto flip function	Rotates dome camera's picture by 180° at bottom of tilt travel (Digital Flip)
Programmable park position	Included
Window blanking	8 dynamic window blanking zones with user-defined four-sided shapes and up to 16-character labels each
Zones	8 zones with programmable label
Digital signal processing (DSP)	DSP-3R
Automatic gain control (AGC)	Automatic (On/Off switchable)
Shutter modes	High and Low Speed shutter
Shutter speed (AES/MES)	Automatic/manual: 1/1 ~ 1/10,000sec. (PAL)
Integration rate	no
White balance	Automatic (with manual override)
Backlight compensation	BLC
IR cut filter	yes, Motorized, switchable filter. Automatic function depend on the amount of light. In removed filter position, the colour signal, will be switched OFF
Video outputs (type)	Composite, VBS
Video outputs	1Vp-p, (C)VBS, 75ohms, BNC
Video output	1Vp-p, CVBS, 75ohms, BNC
Lens mount	integrated lens
Lens type	zoom
Lens	F1.6 ~ F75/3.9 ~ 85.8mm (22x optical, 12x digital zoom)
Application range	security
Nominal format size	1/4"
Focal length	3,5-91mm
Horizontal angle of view	54,2-2,2°
Digital Zoom	11x
Zoom range	F1.6~F75/3.5 ~ 91mm (26x optical, 12x digital zoom)
Focus control	Automatic with manual override
Iris control	auto iris, Manual override
Minimum object distance (MOD)	0.3m
Mount	n/a
Alarm inputs	4, selectable between NO and NC
Alarm outputs	1
Menu driven set-up	On/Off switchable
Menu languages	English, German, French, Spanish, Portuguese, Italian, Polish
Text display	16-character labels
Operation protection	Available

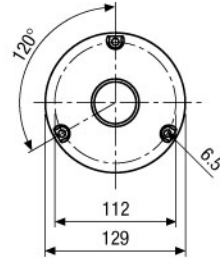
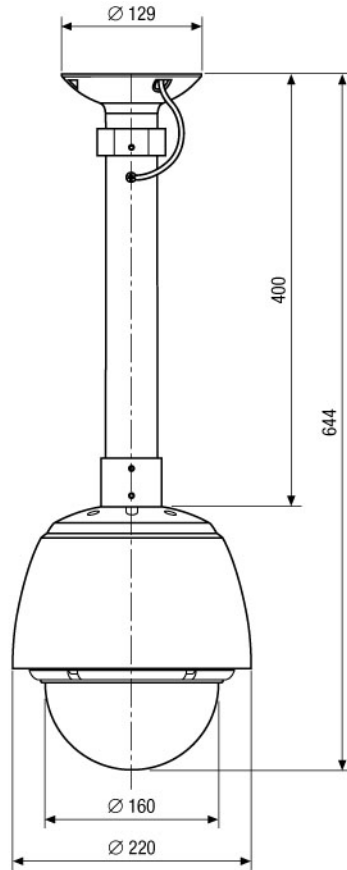
(Specifications continued)

Backup	Non-volatile back box memory stores all camera and site-specific dome settings
Adresses	Up to 999 Dome ID's
Keyboard control	Direct mode control with Eneo EDC-KBD(M) keyboard series, or in conjunction with the eneo DVR series DLR, DTR and DPR
Remote control	Camera remote settings via keyboard
Serial interfaces	RS-422, RS-485, RS-422/RS-485, 9600Baud, 999 camera ID addresses selectable. Besides the keyboard control via the eneo EDC-KBD(M) series, the control via matrix switchers and keyboards from Pelco (D+P protocol), Ernitec, Philips G3, Sensormatic RS-422, (back channel, via RS-422 is not activated), Vicon and Dynacolor is available
Temperature range (Operation)	-40°C ~ +50°C
Heater	yes
Protection rating	IP65
Supply voltage	18 to 30VAC (24VAC nominal), 50/60Hz, 24VAC, 18 ~ 30VAC (Nominal 24V), 50/60 Hz
Power consumption	Approx. 55watts
Bubble	6.3" (160mm), clear acrylic plastic
Colour (bubble)	clear
Camera fixing	dome
Mounting	Wall or ceiling pendant mount
Housing	outdoor housing
Housing material	aluminium
Colour (housing)	Pantone Cool Gray 1C
Dimensions (HxWxD)	See drawing
Weight	3.3kg

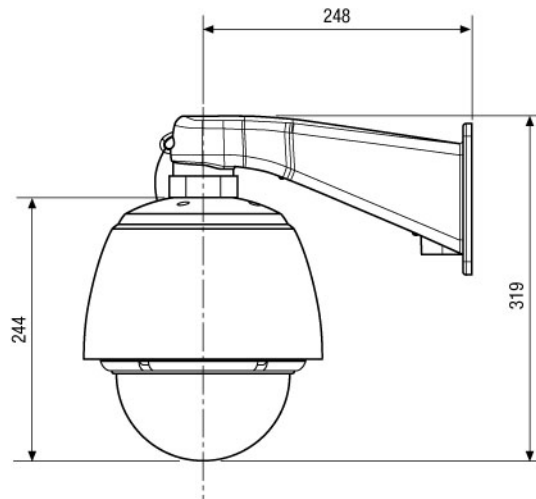
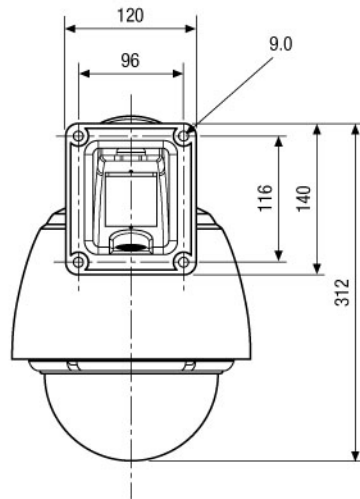
Accessories

74054 / EDC-CMA2	Corner Mount Adapter for EDC-IPS/OPC Housings and Wall Bracket EDC/WMB1
74055 / EDC-PM7	Pole Mount Adapter for EDC-IPS/OPC Housings, (70-140mm Pole)
74138 / EDC-AKS1/MP	Adapter Plate for Fixation of EDC-AKS1 to EDC-PM7 or EDC-CMA2
74124 / FASTRAX_CONFIG	Configuration Software for Eneo Fastrax, Minitrax Dome Cameras and VKC-1416
74088 / EDC-KBD1	System Keyboard with 3-axis Joystick, 12VDC/230VAC
74092 / EDC-KBDM-3	System Keyboard w. Joystick, 5" Monitor 12VDC/230VAC, Fastrax Protocol
74089 / EDC-CR1	Converter RS-232/RS-485, Repeater RS-485
74094 / EDC-COAX	Coax Telemetry Board for VPT-41/42, EDC/EDMC Series. assembled

Deckenmontage / Ceiling mount



Wandmontage / Wall mount



Der Wandmontagearm und die Deckenhalterung sind im Lieferumfang der Domekamera nicht enthalten.
Wall bracket and ceiling tube are not included with the dome camera.

Maße / Dimensions: mm

VIDEOR TECHNICAL E. Hartig GmbH
 Carl-Zeiss-Straße 8 · 63322 Rödermark · Germany
 Telefon +49 (0) 60 74/8 88-0 · Telefax +49 (0) 60 74/8 88-100
 info@videortechnical.com · www.videortechnical.com

