



EDCH-143E/C

Article-No.: 74222

1/4" Dome, PTZ, Day&Night,
clear, 22x, WDR, 580TVL, 24VAC

Mainfeatures

Vandalism resistant colour/b&w dome camera
Zoom lens F1.6/3.9-85.8mm/ Removable IR cut filter
160 presets / 4 patterns / Digital flip
8 dynamic window blanking (privacy zones)
Supply voltage: 18 to 30VAC, 50/60Hz
Sunshield, heater and blower kit included

22x optical and 16x digital zoom (242 total)
High and low speed shutter control (MES/ESC/DSS)
4 tours and 4 autoscans
RS-485 control interface
Outdoor housing with clear bubble
Ready for installation (prewired)

Specifications

Series	eneo Fastrax Plug & Play
System	day&night
Video standard	CCIR/PAL
Sensor size	1/4"
Imager	CCD
Imager	Sony ExView HAD Interline Transfer
Horizontal resolution	580 TVL
Synchronization	Internal/AC line lock, phase adjustment via remote control
Signal-to-noise ratio	50dB
Gamma correction	0.45
Sensitivity (at 50% video signal)	0,38 Lux
Sensitivity (at 50% video signal)	(colour); 0.19Lux (B&W) at F1.2 (measured)
Automatic gain control (AGC)	ON/OFF switchable
Automatic electronic shutter (ESC)	1/50 ~ 1/100,000sec.
Manual electronic shutter (MES)	1/50 ~ 1/100,000sec.
Low speed shutter	yes





Specifications (continued)

Low speed shutter	2 - 50 fps.
Digital Noise Reduction (DNR)	yes
Digital Noise Reduction (DNR)	2D & 3D
Backlight compensation	BLC
Backlight compensation	ON/OFF switchable
Wide Dynamic Range (WDR)	yes
Wide Dynamic Range (WDR)	54dB
White balance	automatic (AWB) selectable for indoor and outdoor or manual
Aperture Correction (APC)	horizontal and vertical
Flickerless function	yes
IR cut filter	switchable
Day/Night switching	auto, On, Off, global
Privacy zones masking	8 zones masking with block or video OFF option
Menu languages	German, English, French, Spanish, Italian, Portugese, Polish
Text display	6 character labels, ON/OFF switchable
Activity detection	yes
Motion detector	in preset mode only
Mirror function	180° rotation
Digital zoom	16x
Analysis Functions	no
Lens type	zoom
Zoom factor	22x
Focal length	3,9 mm - 85,8 mm
Horizontal angle of view	47° - 2,6°
MOD (Minimum object distance)	1,0 m
Aperture range (F)	F1.6 (3.7) ~ F140
Iris control	DC
Video outputs	composite (CVBS)
Video outputs	1Vp-p, (C)VBS, 75ohms, BNC
Alarm inputs	4
Alarm outputs	1
Speed (manual control)	380 °/Sek.
Speed range at manual control (pan)	0.1° - 380°/sec. (Proportional to zoom)
Speed range at manual control (tilt)	0.1° - 380°/sec. (Proportional to zoom)
Preset speed	380 °/Sek.
Rotation range	360°
Tilt range	-10° ~ +90° (Auto Flip)
Backlash	0.2°
Patterns	4 patterns up to 200sec. total
Tours	up to 4 user programmable guard tours
Autoscan	4 User programmable auto scans, 1x Autopan
Proportional pan and tilt	continually decreases pan and tilt speeds in proportion to depth of zoom
Auto flip function	180° digital flip (turns the video output from the camera upside down and reverses it horizontally)
Programmable park position	included
Preset positioning	160 presets with with camera status (12-character title display)
Illumination	no

Specifications (continued)

Serial interfaces	RS-485
Serial interfaces protocols	Fastrax IIE, Pelco D, Pelco P, Sensormatic RS-422, Ernitec, Bosch, Dynacolor, Vicon
Housing material	aluminium
Bubble	6.3" (160mm), clear acrylic plastic
Colour (bubble)	clear
Colour (housing)	Pantone Cool Gray 1C
Blower	yes
Mounting	wall or ceiling pendant mount
Supply voltage	24VAC
Supply voltage	(18 ~ 30VAC), 50/60Hz
Power consumption	Approx. 55watts
Temperature range (operation)	-45°C ~ +50°C
Vandalism resistant	yes
Protection rating	IP66
Dimensions (HxWxD)	see drawing
Weight	3.3kg
Parts supplied	camera, allen key, manual
Certificates	CE


Optional Accessories

Image	Artikel-Nr. / Typ	Description
	EDC-WMB1	Wall Mount for EDC(H) Dome Cameras with Mounting Kit
	EDC-CMT1	Ceiling Mount Tube with Flange Plate for EDC(H) Dome Cameras with Mounting Kit
	EDC-RTB2	Pole & Roof Mount Bracket for Fastrax 2 outdoor Housings & EDCH
	EDC-AKS1	Power&Connection Box with Mounting Bracket for In/Outdoor, 230V-24VAC/3.0A

Optional Accessories (continued)

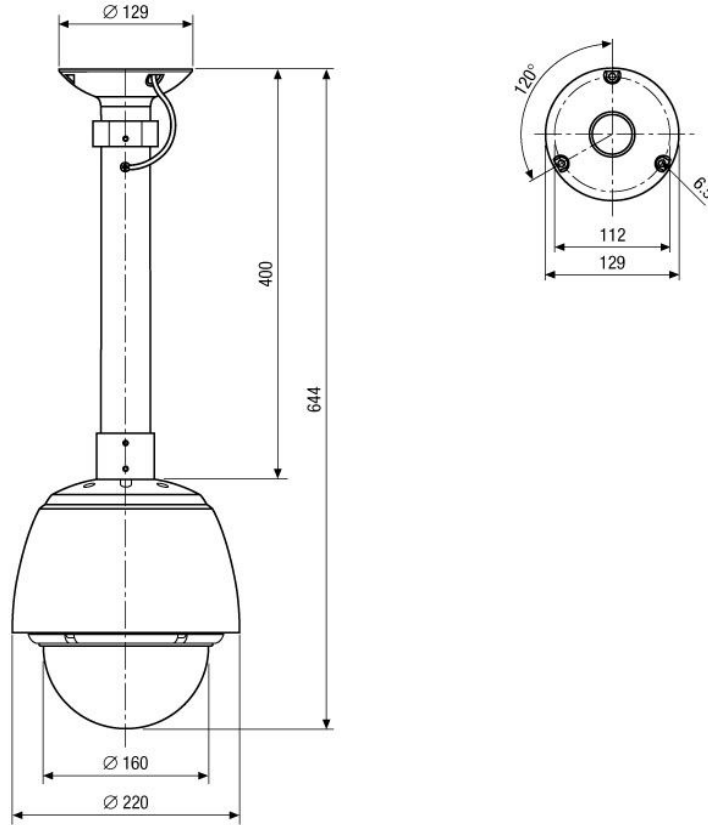
Image	Artikel-Nr. / Typ	Description
	FASTRAX_CONFIG	Configuration Software for Eneo Fastrax, Minitrax Dome Cameras and VKC-1416
	NE-128	Voltage supply unit 230V/24VAC-5A, IP66
	EDC-KBD1	System Keyboard with 3-axis Joystick, 12VDC
	EDC-KBDM-3	System Keyboard w. Joystick, 5" Monitor 12VDC, Fastrax Protocol
	KBD-2	System Keyboard with 3-Axis Joystick and Jog Shuttle, 12VDC
	KBD-NSC-100	Network System Controller with 3-Axis Joystick and Jog Shuttle, 5VDC
	EDC-CR1	Converter RS-232/RS-485, Repeater RS-485

Optional Accessories (continued)

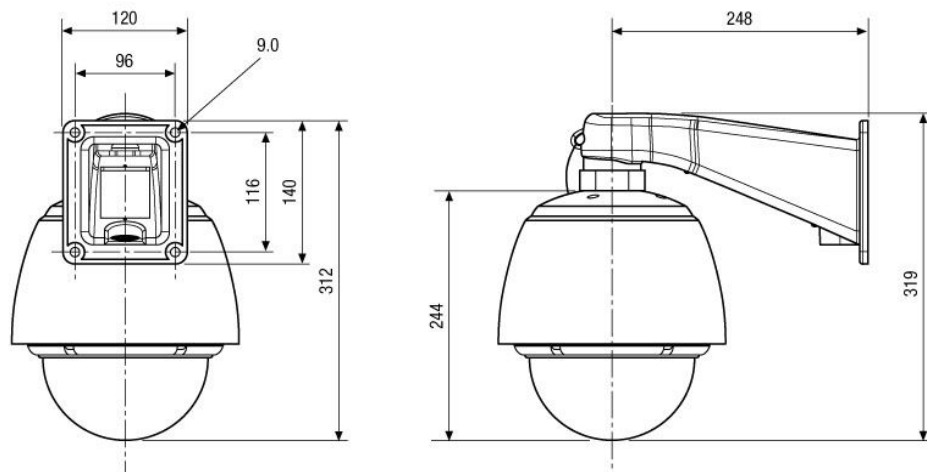
<i>Image</i>	<i>Artikel-Nr. / Typ</i>	<i>Description</i>
	EDC-COAX	Coax Telemetry Board for VPT-501/601, EDC/EDMC Series assembled

Technical Drawing

Deckenmontage / Ceiling mount



Wandmontage / Wall mount



Der Wandmontagearm und die Deckenhalterung sind im Lieferumfang der Domekamera nicht enthalten.
Wall bracket and ceiling tube are not included with the dome camera.

Maße / Dimensions: mm



Your partner for eneo products:

