

# Video Security

Dome Cameras | eneo Fastrax Plug & Play Dome Systems

## EDCH-142E/C

1/4" Day&Night 22x HighSpeed Dome Camera  
Clear Bubble, 24VAC, 480TVL

Art-No. 74123



Wall bracket is not included

## Features

Vandalism Resistant Colour/B&W Dome Camera  
22x Optical and 11x Digital Zoom (242 Total)  
Zoom Lens F1.6/3.9-85.8mm/ Removable IR Cut Filter  
High und Low Speed Shutter  
80 Presets / 2 Patterns / Digital Flip  
4 Tours and 4 Autopans

8 Dynamic Window Blanking (Privacy Zones)  
RS-485 Interface  
Supply Voltage 18 to 30VAC, 50/60Hz  
Outdoor Housing with clear Bubble  
Sunshield, Heater and Blower Kit included  
Ready for Installation (prewired)

## Specifications

Video standard	CCIR/PAL
System	day&night
Sensor size	1/4"
Imager	CCD, 1/4" 752 (H) x 582 (V) pixels (Super HAD CCD)
Synchronization	Internal/AC line lock, phase adjustment via remote control
Signal-to-noise ratio	50dB
Sensitivity (at 50% video signal)	0,75Lux, at F1.2, 0.015Lux at 1sec. shutter speed
Horizontal resolution	480TVL
Speed (manual control)	90°/Sek.
Speed range at manual control (pan)	0.1° ~ 90°/sec., Turbo: 360°/sec. (Proportional to the zoom position)
Speed range at manual control (tilt)	0.1° ~ 90°/sec. (Proportional to the zoom position)
Preset speed	Up to 360°/sec. pan, 360°/Sek.
Rotation range	continuous: 360°
Tilt range	-10° ~ +90°
Preset positioning	128 presets with 8 character labels each
Backlash	0.2°

(Specifications continued)

<b>Patterns</b>	4 patterns: 1x up to 60sec., or 3x up to 60sec. in total
<b>Tours</b>	Up to 4 User programmable guard tours
<b>Autoscan</b>	4 User programmable auto scans
<b>Proportional pan and tilt</b>	Continually decreases pan and tilt speeds in proportion to depth of zoom
<b>Auto flip function</b>	Rotates dome 180° at bottom of tilt travel
<b>Programmable park position</b>	Included
<b>Window blanking</b>	8 dynamic window blanking zones with user-defined four-sided shapes and up to 16-character labels each
<b>Zones</b>	16 each with programmable text labels
<b>Digital signal processing (DSP)</b>	DSP-3R
<b>Automatic gain control (AGC)</b>	Automatic (On/Off switchable)
<b>Shutter modes</b>	High and Low Speed shutter
<b>Shutter speed (AES/MES)</b>	Automatic/manual: 1 ~ 1/10,000sec. (PAL)
<b>Integration rate</b>	no
<b>White balance</b>	Automatic (with manual override)
<b>Backlight compensation</b>	BLC
<b>IR cut filter</b>	yes, Motorized, switchable filter. Automatic function depend on the amount of light. In removed filter position, the colour signal, will be switched OFF
<b>Video outputs (type)</b>	CVBS, VBS
<b>Video outputs</b>	1Vp-p, (C)VBS, 75ohms, BNC
<b>Lens mount</b>	integrated lens
<b>Lens type</b>	zoom
<b>Lens</b>	F1.6 ~ F75/3.9 ~ 85.8mm (22x optical, 12x digital zoom)
<b>Application range</b>	security
<b>Nominal format size</b>	1/4"
<b>Aspherical technology</b>	yes
<b>Focal length</b>	3,9-85,8mm
<b>Horizontal angle of view</b>	49,5-2,4°
<b>Digital Zoom</b>	11x
<b>Focus control</b>	Automatic with manual override
<b>Iris control</b>	auto iris, Manual override
<b>Minimum object distance (MOD)</b>	0.3m
<b>Mount</b>	n/a
<b>Alarm inputs</b>	4, selectable between NO and NC
<b>Alarm outputs</b>	1
<b>Menu driven set-up</b>	On/Off switchable
<b>Menu languages</b>	English, German, French, Spanish, Portuguese, Italian, Polish
<b>Text display</b>	16 character labels
<b>Operation protection</b>	Available
<b>Backup</b>	Non-volatile back box memory stores all camera and site-specific dome settings
<b>Addresses</b>	Up to 999 Dome ID's

## EDCH-142E/C

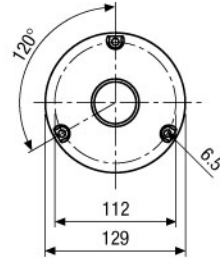
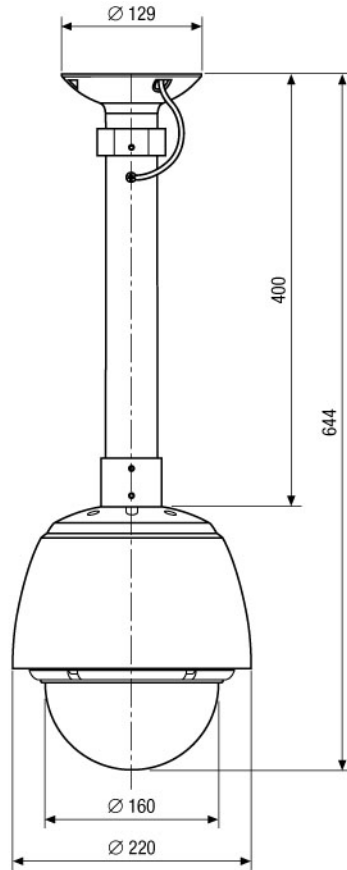
(Specifications continued)

<b>Keyboard control</b>	Direct mode control with Eneo EDC-KBD(M) keyboard series, or in conjunction with the eneo DVR series DLR, DTR and DPR
<b>Remote control</b>	Camera remote settings via keyboard
<b>Serial interfaces</b>	RS-422, RS-485, 9600Baud, 999 camera ID addresses selectable. Besides the keyboard control via the eneo EDC-KBD(M) series, the control via matrix, switchers and keyboards from Pelco (D+P protocol), Ernitec, Philips G3, Sensormatic RS-422, (back channel via RS-422 is not, activated), Vicon and Dynacolor is available
<b>Temperature range (Operation)</b>	-40°C ~ +50°C
<b>Heater</b>	yes
<b>Protection rating</b>	IP65
<b>Supply voltage</b>	24VAC, (18 ~ 30VAC), 50/60Hz
<b>Power consumption</b>	Approx. 55watts
<b>Vandalism resistant</b>	yes
<b>Bubble</b>	6.3" (160mm), clear acrylic plastic
<b>Colour (bubble)</b>	clear
<b>Camera fixing</b>	dome
<b>Mounting</b>	Wall or ceiling pendant mount
<b>Housing</b>	outdoor housing
<b>Housing material</b>	aluminium
<b>Colour (housing)</b>	Pantone Cool Gray 1C
<b>Dimensions (HxWxD)</b>	See drawing
<b>Weight</b>	3.3kg

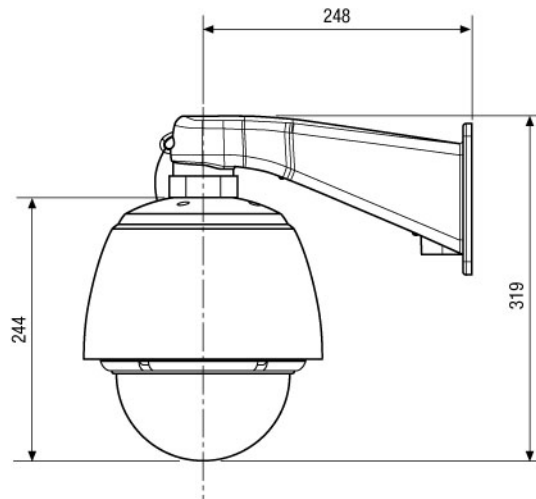
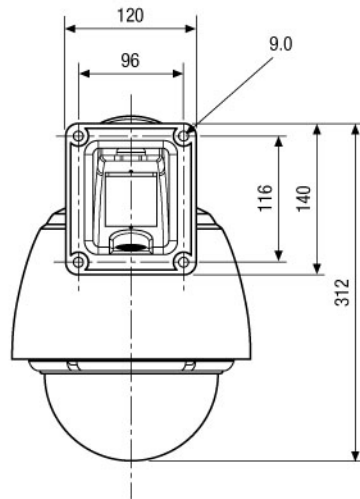
## Accessories

<b>74127 / EDC-WMB1</b>	Wall Mount for EDC(H) Dome Cameras with Mounting Kit
<b>74128 / EDC-CMT1</b>	Ceiling Mount Tube with Flange Plate for EDC(H) Dome Cameras with Mounting Kit
<b>74140 / EDC-RTB2</b>	Pole & Roof Mount Bracket for Fastrax 2 outdoor Housings & EDCH
<b>74125 / EDC-AKS1</b>	Power&Connection Box with Mounting Bracket for In/Outdoor, 230V-24VAC/3.0A
<b>74124 / FASTRAX_CONFIG</b>	Configuration Software for Eneo Fastrax, Minitrax Dome Cameras and VKC-1416
<b>70449 / NE-128</b>	Voltage supply unit 230V/24VAC-5A, IP66
<b>74088 / EDC-KBD1</b>	System Keyboard with 3-axis Joystick, 12VDC/230VAC
<b>74092 / EDC-KBDM-3</b>	System Keyboard w. Joystick, 5" Monitor 12VDC/230VAC, Fastrax Protocol
<b>74089 / EDC-CR1</b>	Converter RS-232/RS-485, Repeater RS-485
<b>74094 / EDC-COAX</b>	Coax Telemetry Board for VPT-41/42, EDC/EDMC Series. assembled

Deckenmontage / Ceiling mount



Wandmontage / Wall mount



Der Wandmontagearm und die Deckenhalterung sind im Lieferumfang der Domekamera nicht enthalten.  
Wall bracket and ceiling tube are not included with the dome camera.

Maße / Dimensions: mm

VIDEOR TECHNICAL E. Hartig GmbH  
 Carl-Zeiss-Straße 8 · 63322 Rödermark · Germany  
 Telefon +49 (0) 60 74/8 88-0 · Telefax +49 (0) 60 74/8 88-100  
 info@videortechnical.com · www.videortechnical.com

