



## EDC-OPC-2/24V

Article-No.: 74130

Pendant Mount Outdoor Dome  
Housing, Sun Shield, Clear  
Bubble 6.5", 24VAC

### Mainfeatures

Outdoor housing for Fastrax I - III dome cameras  
Prepared for wall and ceiling mounting  
Supply voltage: 24VAC/50-60Hz  
Option: Wall and ceiling mount brackets, power box

Clear bubble 6.5" (165mm)  
Sunshield, heater and blower kit included  
Protection rating: IP66  
Option: Connection cable #74143 & #74144



### Specifications

Camera fixing	dome
Bubble	165mm (6.5"), clear acrylic plastic
Heater	yes
Supply voltage	24VAC, 50/60Hz
Power consumption	approx. 75watts for heater, blower and incl. dome camera
Power consumption (heater)	approx. 50W
Temperature range (operation)	-45°C ~ +50°C
Protection rating	IP66
Connection	1 1/2" PT thread
Load capacity	approx. 2kg
Mounting	wall or ceiling pendant mount
Vandalism resistant	no
Housing	outdoor
Housing material	aluminium
Sunshield	yes
Colour (housing)	Pantone Cool Gray 1C
Colour (bubble)	clear
Weight	3,6kg

## Optional Accessories

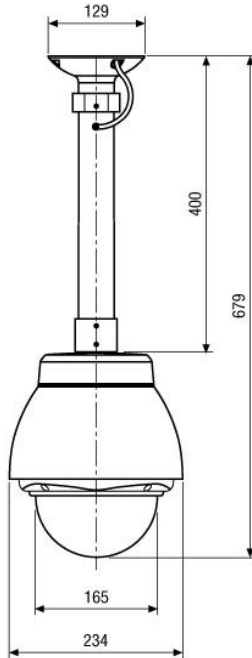
Image	Artikel-Nr. / Typ	Description
	EDC-AKS1	Power & Connection Box with Mounting Bracket for In/Outdoor, 230V-24VAC/3.0A
	EDC-OPX/IPX-CC1	Connection cable for EDC-xxx-2 Fastrax III, Standard Domes in In/Outdoor Housing
	NTDF-AKS1	Power & Connection Box with Mounting Bracket for In/Outdoor, 230V-12VDC/24VAC
	NTD-OPX/IPX-CC1	Connection cable for NTD-6101/xx Network Domes in In/Outdoor Housing
	NE-128	Voltage supply unit 230V/24VAC-5A, IP66
	EDC-RTB2	Pole & Roof Mount Bracket for Fastrax 2 outdoor Housings & EDCH
		Parapet and Roof Mount Bracket for Fastrax Housings 1-2 (w./o. Dome Housing)

### Optional Accessories (continued)

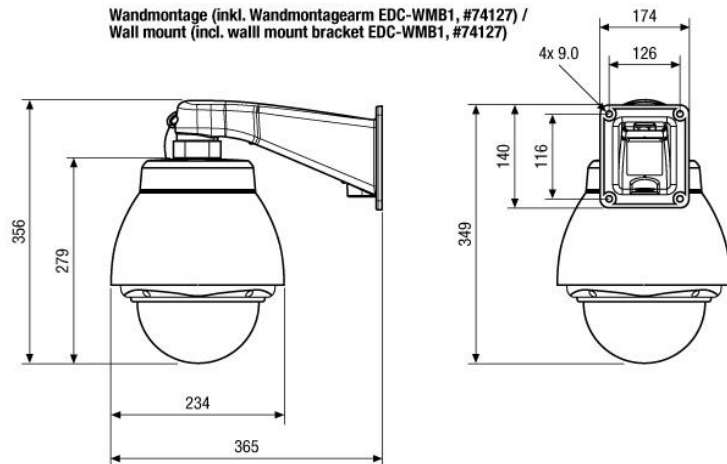
<i>Image</i>	<i>Artikel-Nr. / Typ</i>	<i>Description</i>
	EDC-WMB1	Wall Mount for EDC(H) Dome Cameras with Mounting Kit
	EDC-CMT1	Ceiling Mount Tube with Flange Plate for EDC(H) Dome Cameras with Mounting Kit

## Technical Drawing

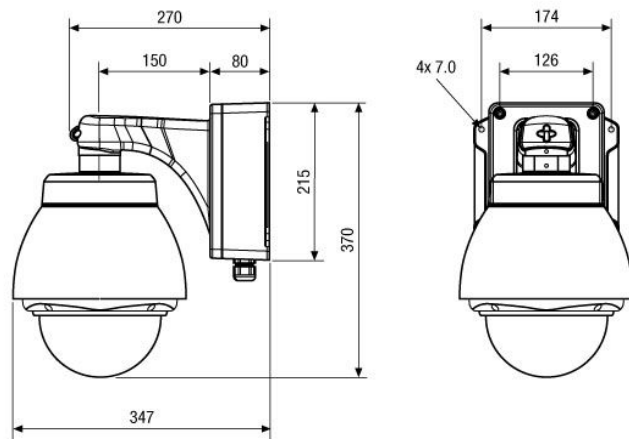
Deckenmontage (inkl. Deckenmontagerohr EDC-CMT1, #74128) /  
Ceiling mount (incl. ceiling mount tube with flange plate EDC-CMT1, #74128)



Wandmontage (inkl. Wandmontagearm EDC-WMB1, #74127) /  
Wall mount (incl. wall mount bracket EDC-WMB1, #74127)



Wandmontage (inkl. Anschlussbox mit Netzgerät und Montagearm EDC-AKS-1, #74125) /  
Wall mount (incl. power & connection box with mounting bracket EDC-AKS-1, #74125)



Der Wandmontagearm, die Deckenhalterung und die Anschlussbox mit Netzgerät sind im Lieferumfang des Domegehäuses nicht enthalten.  
Wall bracket, ceiling tube and power & connection box are not included with the dome camera housing.

Maße / Dimensions: mm



*Your partner for eneo products:*

