

# EDC-KBDM-3

Home | Security | Recording | Accessories

EDC-KBDM-3  
System Keyboard w. Joystick, 5" Monitor 12VDC,  
Fastrax Protocol

Art-Nr. 74092



## Main Features

### Programming and control of camera series:

Fastrax and Minitrax

For DVR series DLR1.2, DLR3/4, DTR, DIR and DPR

Supports up to 254 cameras

Joystick control of PTZ functions

Built-in 5" (12.7cm) TFT/LCD monitor

Programmable sequences and patterns

Preset position and pattern control

Auto and random scanning

Auxiliary operations

Alarm handling and alarm log

PTZ control with Eneo Fastrax IIE protocol

## Specifications

Integrated monitor	TFT/LCD monitor (5"/12.7cm screen size)
Video input	1Vp-p, CVBS, 75ohms
Adjustment	Brightness and colour
Site control (direct mode operation)	Keys select cameras and monitors, operate presets, patterns, auxiliaries, and sequences. Camera functions: pan, tilt, zoom, focus, iris for fixed or variable speed control of the camera series Fastrax, Minitrax
Protocols	Fastrax IIE and Pelco P&D
Interfaces external storage	3x RS-485, RJ45 (8-pin). 1x KBD (For connection of the junction box: Dome camera series Fastrax), 1x DVR (Recorder series DLR2)
Remote control	Control of the camera series Fastrax and Minitrax. Recorder series DLR1.2, DLR3/4, DTR, DIR and DPR. Fastrax & Pelco D&P protocol
Supply voltage	12VDC (connection to the Junction box, 230VAC PSU included)
Power consumption	approx. 10watts
Temperature range	0 ~+50°C

## EDC-KBDM-3

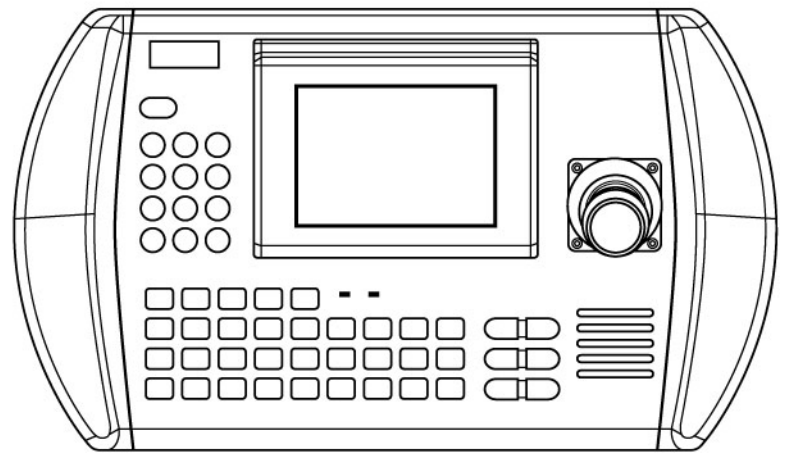
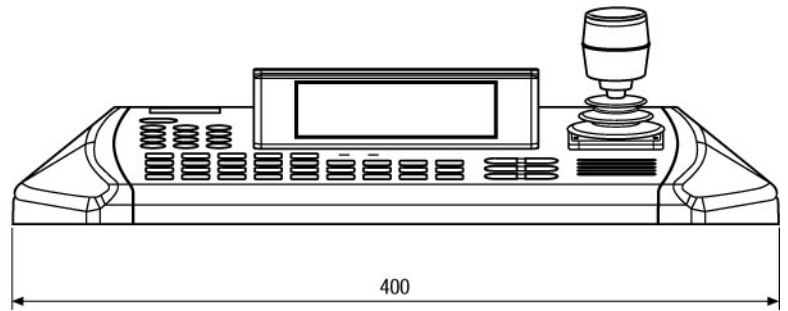
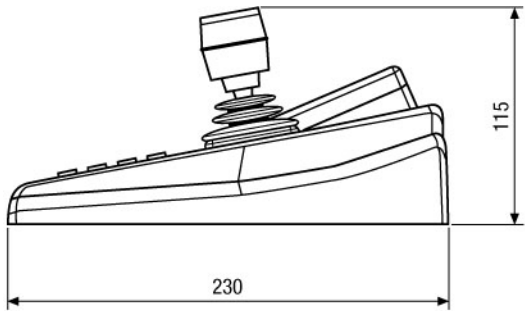
(Continuation Spezifications)

<b>Dimensions (HxWxD)</b>	88 (120mm incl. Joystick) x400x230mm
<b>Weight</b>	1.9kg
<b>Parts supplied</b>	System keyboard, Junction box with connection cable and PSU
<b>Certificates</b>	CE

# EDC-KBDM-3

Home | Security | Recording | Accessories

## Technical drawing



Maße/Dimensions: mm



**VIDEOR**