

Video Security

Dome Cameras | eneo Fastrax Domes

EDC-3361

1/4" D&N HiSpeed Dome Camera, FastraxIII
WDR, 36x Zoom Lens, 24VAC, 540TVL

Art-No. 74129



Features

High Resolution Colour/B&W (Ex View Chip)
Wide Dynamic Range (WDR)
36x Optical and 12x Digital Zoom (264 Total)
Zoom Lens: F1.6/3.4-122,4mm
Removable IR Cut Filter
High and Low Speed Shutter Control (MES/ESC/DSS)

Pattern, Tour and Autopan Function
240 Presets
Dynamic Window Blanking
RS-485/RS-422 Interface
8 Alarm Inputs / 4 Outputs
Supply Voltage: 18 to 30VAC, 50/60Hz

Specifications

Video standard	CCIR/PAL
System	day&night
Sensor size	1/4"
Imager	CCD, Sony ExView HAD Interline Transfer CCD
Synchronization	Internal/AC line lock, phase adjustment via remote control
Signal-to-noise ratio	50dB
Sensitivity (at 50% video signal)	0,3Lux, at colour; 0.13Lux (B&W). VT measurement result at F1.2, DSS Off
Horizontal resolution	540TVL
Speed (manual control)	380°/Sek.
Speed range at manual control (pan)	0.1° ~ 380°/sec. (Proportional to zoom)
Speed range at manual control (tilt)	0.1° ~ 200°/sec. (Proportional to zoom)
Preset speed	380°/Sek.
Rotation range	continuous: 360°
Tilt range	-10° ~ +190° (Digital Flip), or 90° Auto Flip
Preset positioning	240 presets with with camera status (12-character title display)

(Specifications continued)

Backlash	0.2°
Patterns	8 patterns up to 500sec.
Tours	Up to 8 programmable guard tours, consisting of 42 presets each and up to 12 character title display
Autoscan	16 User programmable auto scans with 13 selectable speeds and 12 character title display
Proportional pan and tilt	Continually decreases pan and tilt speeds in proportion to depth of zoom
Auto flip function	Rotates dome camera's picture by 180° at bottom of tilt travel (Digital Flip)
Programmable park position	Included
Window blanking	8 dynamic window blanking zones with user-defined block, or video off, and up to 12 character title display
Digital signal processing (DSP)	DSP-3R
Automatic gain control (AGC)	Automatic (On/Off switchable)
Shutter modes	High and Low Speed shutter
Shutter speed (AES/MES)	Automatic/manual: 1/3 ~ 1/10,000sec. (PAL)
Integration rate	yes
White balance	Modes: Manual, Automatic, Indoor, Outdoor, ATW
Backlight compensation	WDR
IR cut filter	yes, Motorized, switchable filter. Automatic function depend on the amount of light. In removed filter position, the colour signal, will be switched OFF
Video outputs (type)	CVBS, VBS
Video outputs	1Vp-p, (C)VBS, 75ohms, BNC
Lens mount	integrated lens
Lens type	zoom
Lens	F1.6 ~ F75/3.4 ~ 122.4mm (36x optical, 12x digital zoom)
Application range	security
Nominal format size	1/4"
Aspherical technology	yes
Focal length	3,4-122,4mm
Horizontal angle of view	57,8-1,7°
Digital Zoom	12x
Focus control	Automatic with manual override
Iris control	auto iris, Manual override
Mount	n/a
Alarm inputs	8, selectable between NO and NC
Alarm outputs	4x Relay contacts, programmable as NO/NC contact, 12VDC/1.0A resistive
Alarm processing	Programmable alarm action with selectable priority levels
Motion Detection Function	available
Menu driven set-up	On/Off switchable
Menu languages	English, German, French, Spanish, Portuguese, Italian, Polish

(Specifications continued)

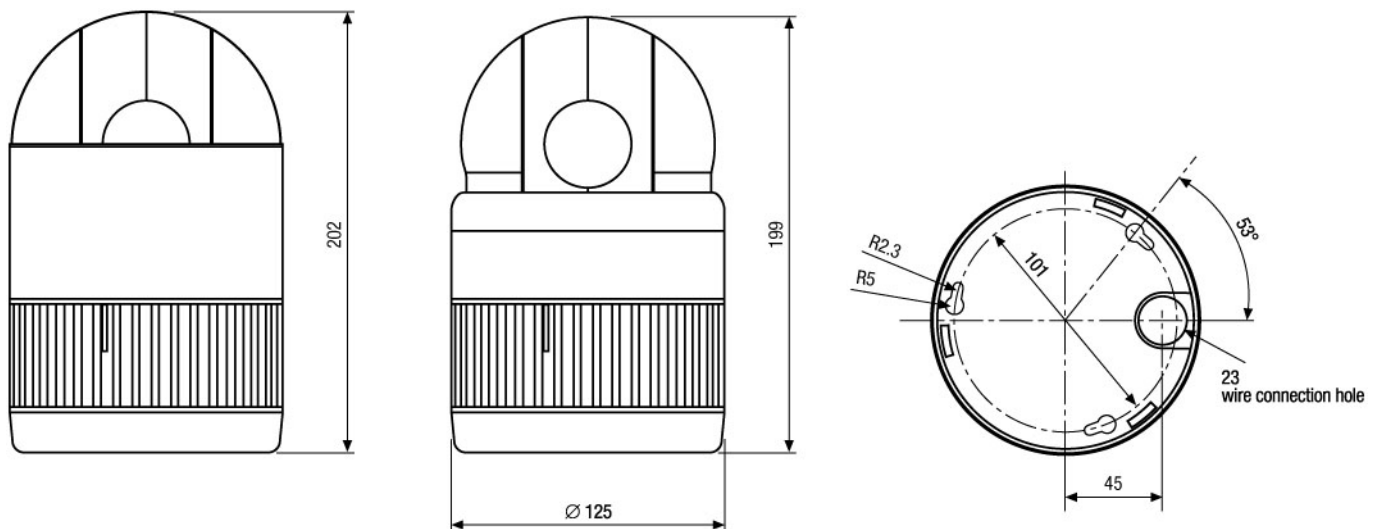
Text display	16 character labels
Operation protection	Available
Backup	Non-volatile back box memory stores all camera and site-specific dome settings
Adresses	Up to 999 Dome ID's (3999 by software setting)
Keyboard control	Direct mode control with Eneo EDC-KBD(M) keyboard series, or in conjunction with the eneo DVR series DLR, DTR and DPR
Remote control	Camera remote settings via keyboard
Serial interfaces	RS-485, RS-422, 9600Baud, 999 camera ID adresses selectable. Besides the keyboard control via the eneo EDC-KBD(M) series, the control via matrix, switchers and keyboards from Pelco (D+P protocol), Ernitec, Philips G3, Sensormatic RS-422, (back channel via RS-422 is not, activated), Vicon and Dynacolor is available
Temperature range (Operation)	0 ~ +50°C
Heater	no
Protection rating	IP40
Supply voltage	24VAC, (18 ~ 30VAC), 50/60Hz
Power consumption	approx. 20watts
Vandalism resistant	no
Bubble	4.9" (125mm), clear acrylic plastic
Colour (bubble)	clear
Camera fixing	n/a
Mounting	surface mount, Housing assy
Housing	indoor housing, Black plastic for indoor drop-ceiling mount up to 0°C
Housing material	plastic
Colour (housing)	black
Dimensions (HxWxD)	See drawing
Weight	approx. 1.2kg
Parts supplied	Clear bubble

Accessories

74130 / EDC-OPC-2/24V	Pendant Mount Outdoor Dome Housing, Sun Shield, Clear Bubble 6.5", 24VAC
74136 / EDC-OPS-2/24V	Pendant Mount Outdoor Dome Housing with Sunshield, Tinted Bubble 6.5", 24VAC
74134 / EDC-IPS-2/24V	Pendant Mount Indoor Dome Housing with Tinted Bubble 6.5", 24VAC
74135 / EDC-IPC-2/24V	Pendant Mount Indoor Dome Housing with Clear Bubble 6.5", 24VAC
70527 / NE-132/AC24V	Power Supply Unit 230VAC/24VAC (1.0A)
70449 / NE-128	Voltage supply unit 230V/24VAC-5A, IP66
70457 / AK-3	Camera Connection box, 230VAC Input 24VAC-100W, 12VDC-1A Output
74088 / EDC-KBD1	System Keyboard with 3-axis Joystick, 12VDC/230VAC

(Accessories continued)

74092 / EDC-KBDM-3	System Keyboard w. Joystick, 5" Monitor 12VDC/230VAC, Fastrax Protocol
74057 / EDC-IDF	Flush Mount Dome Housing, Smoked Bubble 4.9"
74139 / EDC-IDFHCB	Flush Mount Dome Closed Housing, Black Trimming, Clear Bubble 6.8"
74095 / EDC-PBP	Protocol Converter BiPhase to RS-422, RS-485 for EDC Dome Cameras, 12VDC
74089 / EDC-CR1	Converter RS-232/RS-485, Repeater RS-485
74094 / EDC-COAX	Coax Telemetry Board for VPT-41/42, EDC/EDMC Series. assembled
74124 / FASTRAX_CONFIG	Configuration Software for Eneo Fastrax, Minitrax Dome Cameras and VKC-1416



Maße/Dimensions: mm

VIDEOR TECHNICAL E. Hartig GmbH
 Carl-Zeiss-Straße 8 · 63322 Rödermark · Germany
 Telefon +49 (0) 60 74/8 88-0 · Telefax +49 (0) 60 74/8 88-100
 info@videortechnical.com · www.videortechnical.com

