



EDC-3262

Article-No.: 74170

1/4" Day&Night High Speed Dome Camera
Fastrax III, 26x Zoom Lens, 24VAC, 540TVL

Mainfeatures

High Resolution Colour/B&W (ExView Chip)
Auto Calibration
Zoom Lens: F1.6/3.5-91mm
Pattern, Tour and Autopan Function
Dynamic Window Blanking

Wide Dynamic Range (WDR)
26x Optical and 12x Digital Zoom (264 Total)
Removable IR Cut Filter
240 Presets
RS-485/RS-422 Interface

Specifications

Series	eneo Fastrax III
Video standard	CCIR/PAL
System	day&night
Sensor size	1/4"
Imager	CCD
Imager	Sony ExView HAD Interline Transfer
Synchronization	Internal/AC line lock, phase adjustment via remote control
Signal-to-noise ratio	50dB
Sensitivity (at 50% video signal)	0,2 Lux
Sensitivity (at 50% video signal)	at F1.2, 0.35Lux at F1.6, 0.2Lux at 1/3sec. shutter speed (F1.6) 0.02Lux at 1/3sec. shutter speed (colour), 0.01Lux at 1/3sec. shutter speed (B&W)
Horizontal resolution	540 TVL
Speed (manual control)	380 °/Sek.
Speed range at manual control (pan)	0.1° ~ 380°/sec. (Proportional to zoom)
Speed range at manual control (tilt)	0.1° ~ 200°/sec. (Proportional to zoom)
Preset speed	380 °/Sek.
Rotation range	360°


Specifications (continued)

Tilt range	180° (Digital Flip)
Preset positioning	240 presets with with camera status (12-character title display)
Freeze function	The image will be frozen during calling preset
Backlash	0.2°
Patterns	8 patterns up to 500sec.
Tours	Up to 8 programmable guard tours, consisting of 42 presets each and up to 12 character title display
Autoscan	16 User programmable auto scans with 13 selectable speeds and 12 character title display
Proportional pan and tilt	Continually decreases pan and tilt speeds in proportion to depth of zoom
Auto flip function	Rotates dome camera's picture by 180° at bottom of tilt travel (Digital Flip)
Programmable park position	Included
Privacy Zone masking	8 privacy zone masking (2 methods selectable: Block / video off) and up to 12-character labels each
Digital signal processing (DSP)	DSP-3R
Automatic gain control (AGC)	Automatic (On/Off switchable)
Shutter modes	High and Low Speed shutter
Shutter speed (AES/MES)	Automatic/manual: 1/3 ~ 1/10,000sec. (PAL)
Integration rate	yes
Digital Noise Reduction (DNR)	no
White balance	Modes: Manual, Automatic, Indoor, Outdoor, ATW
Backlight compensation	BLC
Switchable IR cut filter	yes
Video outputs (type)	CVBS
Video outputs	1Vp-p, (C)VBS, 75ohms, BNC
Lens mount	integrated lens
Lens type	zoom
Lens	F1.6 ~ F80/3.5 ~ 91mm (26x optical, 12x digital zoom)
Aspherical technology	yes
Focal length	3,5 mm - 91 mm
Horizontal angle of view	54,2° - 2,2°
Digital Zoom	12x
Focus control	Automatic with manual override
Iris control	auto iris
Iris control	Manual override
MOD (Minimum object distance)	1,0 m
Filter screw size	not available
Alarm inputs	8, selectable between NO and NC
Alarm outputs	4x Relay contacts, programmable as NO/NC contact, 12VDC/1.0A resistive
Alarm processing	Programmable alarm action with selectable priority levels
Motion Detection Function	no
Menu driven set-up	On/Off switchable
Menu languages	English, German, French, Spanish, Portuguese, Italian, Polish
Text display	16 character labels
Operation protection	Available

Specifications (continued)

Backup	Non-volatile back box memory stores all camera and site-specific dome settings
Adresses	Up to 999 Dome ID's (3999 by software setting)
Keyboard control	Direct mode control with Eneo EDC-KBD(M) keyboard series, or in conjunction with the eneo DVR series DLR, DTR and DPR
Remote control	Camera remote settings via keyboard
Serial interfaces	RS-422, RS-485
Serial interfaces	9600Baud, 999 camera ID addresses selectable. Besides the keyboard control via the eneo EDC-KBD(M) series, the control via matrix switchers and keyboards from Pelco (D+P protocol), Ernitec, Philips G3, Sensomatic RS-422, (back channel via RS-422 is not activated), Vicon and Dynacolor is available
Temperature range (Operation)	0 ~ +50°C
Heater	no
Protection rating	IP40
Supply voltage	24VAC
Supply voltage	(18 ~ 30VAC), 50/60Hz
Power consumption	20watts
Vandalism resistant	no
Bubble	4.9" (125mm), clear acrylic plastic
Colour (bubble)	clear
Mounting	surface mount, Housing assy
Housing	Indoor
Housing material	Plastic
Housing	Black plastic for indoor drop-ceiling mount up to 0°C
Colour (housing)	black
Dimensions (HxWxD)	See drawing
Weight	approx. 1.2kg
Parts supplied	Clear bubble
Certificates	CE
Special feature	Auto calibration

Optional Accessories

Image	Artikel-Nr. / Typ	Description
	EDC-KBD1	System Keyboard with 3-axis Joystick, 12VDC


Optional Accessories (continued)

Image	Artikel-Nr. / Typ	Description
	EDC-KBDM-3	System Keyboard w. Joystick, 5" Monitor 12VDC, Fastrax Protocol
	KBD-2	System Keyboard with 3-Axis Joystick and Jog Shuttle, 12VDC
	EDC-OPS-2/24V	Pendant Mount Outdoor Dome Housing with Sunshield, Tinted Bubble 6.5", 24VAC
	EDC-OPC-2/24V	Pendant Mount Outdoor Dome Housing, Sun Shield, Clear Bubble 6.5", 24VAC
	EDC-IPS-2/24V	Pendant Mount Indoor Dome Housing with Tinted Bubble 6.5", 24VAC
	EDC-IPC-2/24V	Pendant Mount Indoor Dome Housing with Clear Bubble 6.5", 24VAC
	EDC-IDF	Flush Mount Dome Housing, Smoked Bubble 4.9"

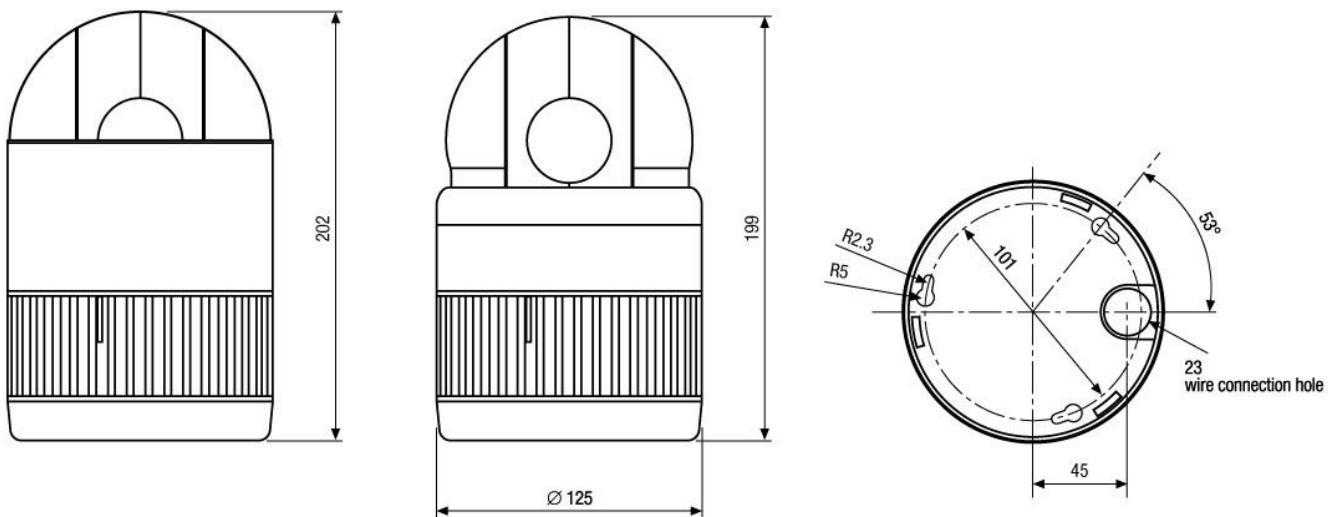
Optional Accessories (continued)

Image	Artikel-Nr. / Typ	Description
	EDC-IDFHCB	Flush Mount Dome Closed Housing, Black Trimming, Clear Bubble 6.8"
	NE-132/AC24V	Power Supply Unit 230VAC/24VAC (1.0A)
	NE-128	Voltage supply unit 230V/24VAC-5A, IP66
	AK-3	Camera Connection box, 230VAC Input 24VAC-100W, 12VDC-1A Output
	EDC-PBP	Protocol Converter BiPhase to RS-422, RS-485 for EDC Dome Cameras, 12VDC
	EDC-CR1	Converter RS-232/RS-485, Repeater RS-485
	EDC-COAX	Coax Telemetry Board for VPT-41/42, VPT- 501/601, EDC/EDMC Series assembled

Optional Accessories (continued)

Image	Artikel-Nr. / Typ	Description
	FASTRAX_CONFIG	Configuration Software for Eneo Fastrax, Minitrax Dome Cameras and VKC-1416

Technical Drawing



Maße/Dimensions: mm

Your partner for eneo products:

