



## DH-5-W

Article-No.: 73176

Ceiling Bracket with  
adjustable Housing Mount  
Angle, RAL9016

### Main features

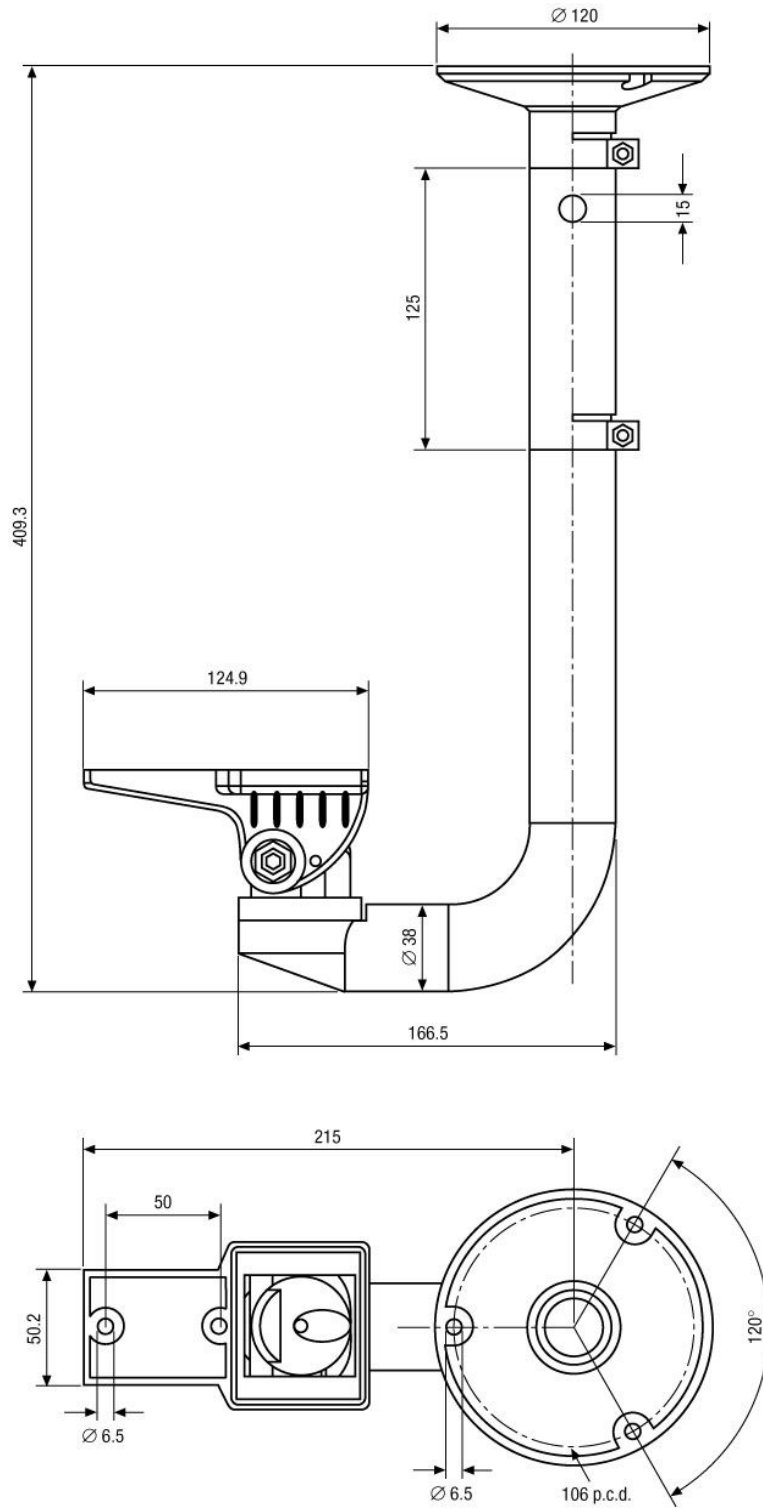
For ceiling mount  
Pan and tilt mounting  
Rugged construction

For VHM and VTL series standard housings  
Conduit cabling through the bracket  
Ready for installation

### Specifications

Mounting distance from fixing point	312mm
Turning range of the swivel head	360°
Tilt range	+/-75°
Load capacity	9kg
Material	Aluminium
Colour	RAL9016
Dimensions (HxWxD)	see drawing
Weight	2.1kg

## Technical Drawing



Maße/Dimensions: mm



Your partner for eneo products:

