



## Mounts for Monitors

FDP-No. : 20072

### D-71

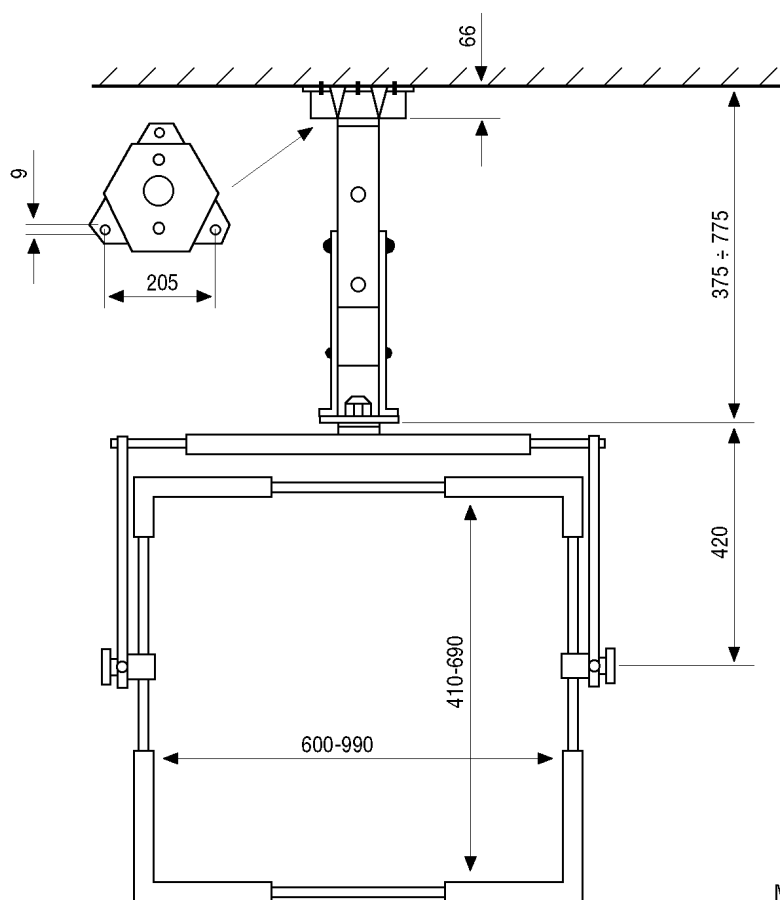
- For Ceiling Mounting
- Suitable for Monitors/TV Sets with Stable Cabinet
- High load Capacity
- Easy to Turn and Tilt
- Lockable Tilt Angle
- TUEV/GS Approved
- Easy Installation



### Specifications:

Load capacity	75 kg
Vertical built-in height range	410-690 mm
Horizontal built-in height range	600-990 mm
Mounting distance range from fixing point	375-775 mm
Colour	Black
Dimensions (HxWxD)	See drawing
Weight	17 kg

Accessories	
EDP No. / Type	Description
20110 BD-1	Mounting kit for D31/D41/D61/D71



Maße/Dimensions: mm

e-mail: [info@eneo-security.com](mailto:info@eneo-security.com) • [www.eneo-security.com](http://www.eneo-security.com)