

# Video Security



## CANDID M-02

1/3" B/W Camera with F1.0/3-8mm Lens  
Candid Dustproof Housing, 560TVL

Art-No. 96016



## Features

**B&W CCD Camera in Dustproof Housing**  
Resolution of 560 Horizontal Lines  
Electronic Shutter Control (ESC)

**High Sensitivity**  
**Lens: F1.0/3-8mm**  
**Index of Protection: IP54**

## Specifications

<b>System</b>	CCIR
<b>Imager</b>	1/3" Interline transfer CCD
<b>Active picture elements</b>	Approx. 440,000; (H) 753 x (V) 582
<b>Synchronization</b>	Internal
<b>Gamma correction</b>	0.45
<b>Horizontal resolution</b>	560 TV lines
<b>Sensitivity</b>	0.1Lux at F1.0 / 0.14Lux at F1.2
<b>Electronic shutter control (ESC)</b>	1/50 to 1/100,000 sec.
<b>External adjustments</b>	DC/ESC switch
<b>Video output</b>	1 Vp-p, CVS, 75 ohms
<b>Lens</b>	F1.0/3-8 mm with manual iris
<b>Horizontal angle of view</b>	91°-36°
<b>Cable entry</b>	Wiring for video and voltage supply made, accessible from outside
<b>Housing</b>	Aluminium with plastic front and back (Makrolon)
<b>Heater/sunshield</b>	No
<b>Colour</b>	RAL 9016 (Body) RAL 7035 (Front and back) RAL 7037 (Inner ball, fixing ring)
<b>Protection rating</b>	IP54
<b>Supply voltage</b>	12 VDC (+/-10 %)
<b>Power consumption</b>	<2watts

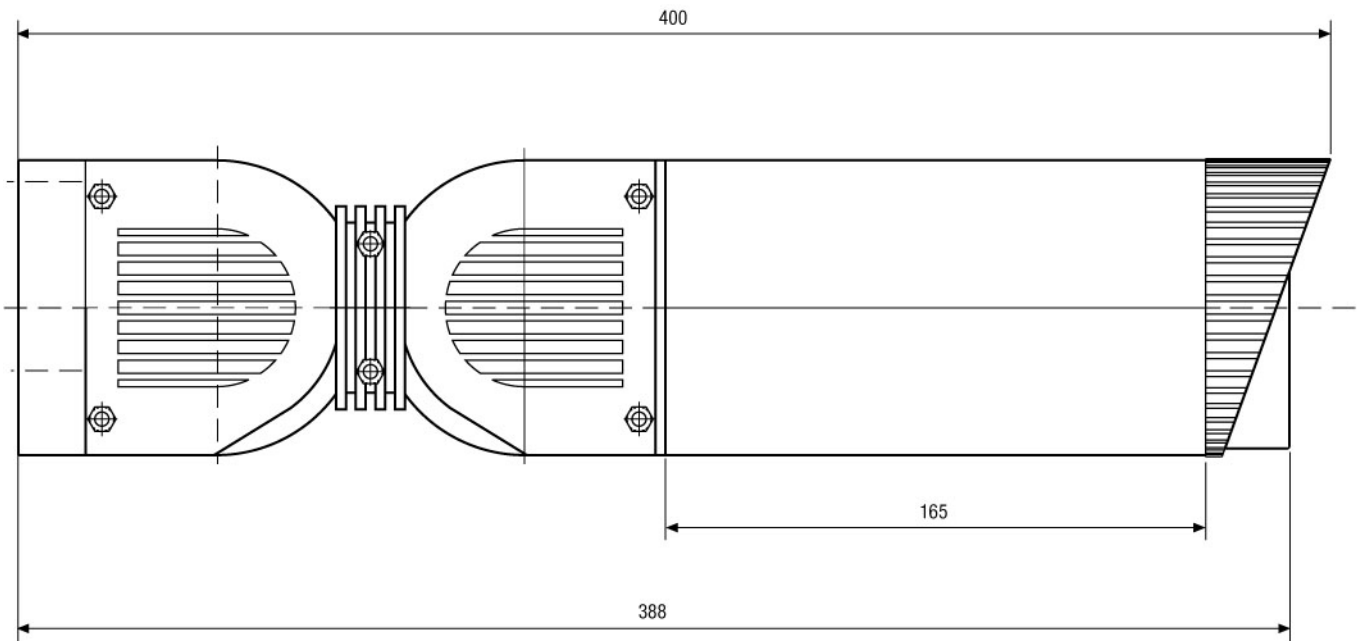
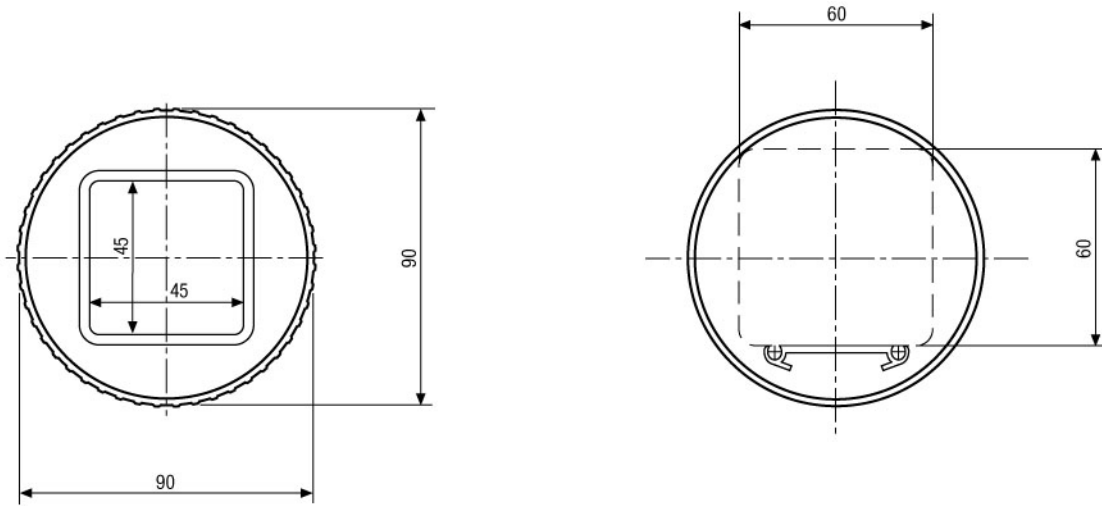
## CANDID M-02

(Specifications continued)

<b>Temperature range</b>	-30°C to +50°C
<b>Dimensions (HxWxD)</b>	See drawing
<b>Weight</b>	1.2 kg
<b>Parts supplied</b>	3mm Allen wrench key, Bag of screws

## Accessories

<b>79494 / VHU-NT1</b>	Power Supply Unit for Candid Housing Series 230VAC/12VDC-14VAC(Camera/Heater)
------------------------	--



Maße/Dimensions: mm

VIDEOR TECHNICAL E. Hartig GmbH  
 Carl-Zeiss-Straße 8 · 63322 Rödermark · Germany  
 Telefon +49 (0) 60 74/8 88-0 · Telefax +49 (0) 60 74/8 88-100  
 info@videortechnical.com · www.videortechnical.com

