

Video Security



CANDID C-04

1/3" Colour Camera w. F1.0/3-8mm DC Lens
Candid Weatherproof Housing, 480TVL

Art-No. 96004



Features

Colour Camera in Weatherproof Housing

Resolution of 480 Horizontal Lines

Digital Signal Processing (DSP)

Back Light Compensation (BLC)

Electronic Shutter Control (ESC)

Integrated Eclipser Function

Horizontal and Vertical Aperture correction (APC)

High Sensitivity

Lens: F1.0/3-8mm DC Controlled Iris

Index of Protection: IP66/67

Specifications

System	CCIR/PAL
Imager	1/3" Sony Super HAD Interline Transfer CCD
Active picture elements	Approx. 470,000, (H) 752 x (V) 582
Signal processing	Digital (DSP)
Synchronization	Internal
Gamma correction	Approx. 0.6
Horizontal resolution	480 TV lines
Sensitivity	0.75Lux at F1.0 / 1.0Lux at F1.2
Electronic shutter control (ESC)	1/50 to 1/15,000sec.
Backlight compensation (BLC)	ON/OFF switchable
Operations	AGC, BLC, Eclipser ON/OFF, Level for DC controlled lenses
Video output	1Vp-p, CCVS, 75ohms
Lens	F1.0/3-8mm with DC-Iris controlled lens
Horizontal angle of view	91°-36°
Window heater	12V, thermostatically controlled
Cable entry	Wiring for video and voltage supply made, accessible from outside
Housing	Aluminium with plastic front and back (Makrolon)
Sunshield	Yes

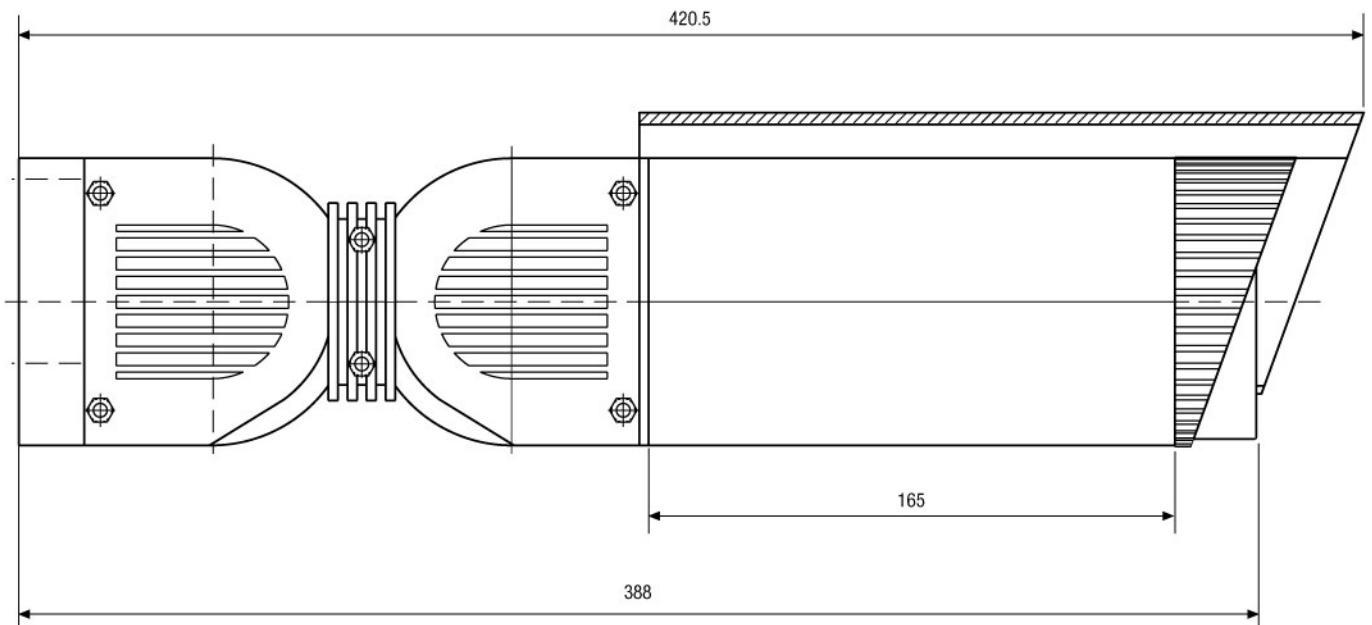
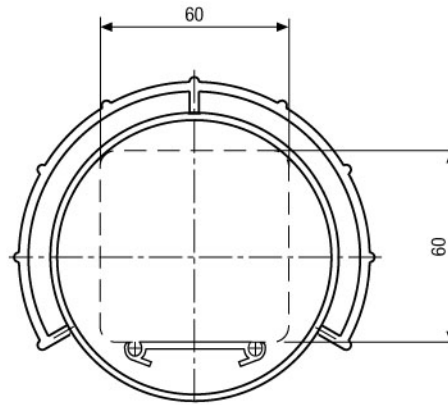
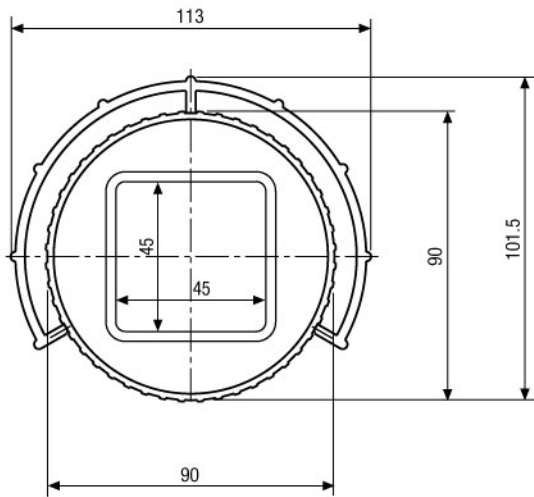
CANDID C-04

(Specifications continued)

Colour	RAL 9016 (Body and sunshield) RAL 7035 (Front and back) RAL 7037 (Inner ball, fixing ring)
Protection rating	IP66/67
Supply voltage	12VDC (+/-10 %)
Power consumption	Approx. 9watts
Temperature range	-30°C to +40°C
Dimensions (HxWxD)	See drawing
Weight	1.2kg
Parts supplied	3mm Allen wrench key, Bag of screws

Accessories

73546 / VT-PM4	Pole Mount Adapter for VHU Housing Series (100-180mm Pole), RAL7035
79494 / VHU-NT1	Power Supply Unit for Candid Housing Series 230VAC/12VDC-14VAC(Camera/Heater)



Maße/Dimensions: mm

VIDEOR TECHNICAL E. Hartig GmbH
 Carl-Zeiss-Straße 8 · 63322 Rödermark · Germany
 Telefon +49 (0) 60 74/8 88-0 · Telefax +49 (0) 60 74/8 88-100
 info@videortechnical.com · www.videortechnical.com

