

# Video Security



## B5028MV-MP

F2,8/50mm Image Processing Lens

2/3", C Mount

Art-No. 42008



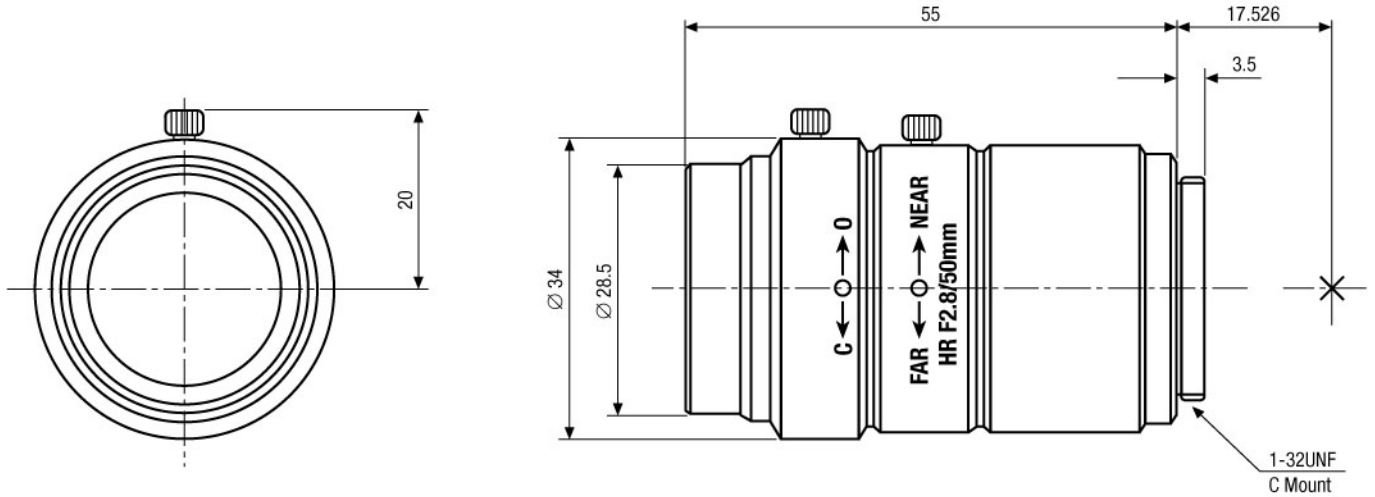
## Features

For Megapixel Colour and B&W Cameras  
High Standard of Optical and Mechanical Quality  
For Use in Industrial and Security Sectors  
High Resolution and Contrast

Very low Distortion (-0.024%)  
Locking Mechanism for Focus and Zoom  
C Mount

## Specifications

Focal length (f)	50 mm
Aperture range (F)	F2.8-22
Lens mount	C
Nominal format size	2/3"
Flange focal length	17.526mm
Horizontal angle of view at nominal format size	9.6°
Vertical angle of view at nominal format size	7.2°
Scene coverage	16x12mm (at 1/3" and M.O.D.)
Resolution at imager plane (LP/mm)	Center: 100; Corner: 80
Distortion	-0.03%
Exit pupil position	-63.7mm (from image plane)
Back focal distance	35.5mm (in air)
Minimum object distance (M.O.D.)	0.2m
Filter screw size	M27x0.5mm
Screw-in depth	3.5mm
Temperature range	-10° to +45°C
Dimensions (LxD)	See drawing
Weight	92g



Maße/Dimensions: mm