



B2514MV-MP
 F1,4/25mm Image Processing Lens
 2/3", C Mount
Art-No. 42005



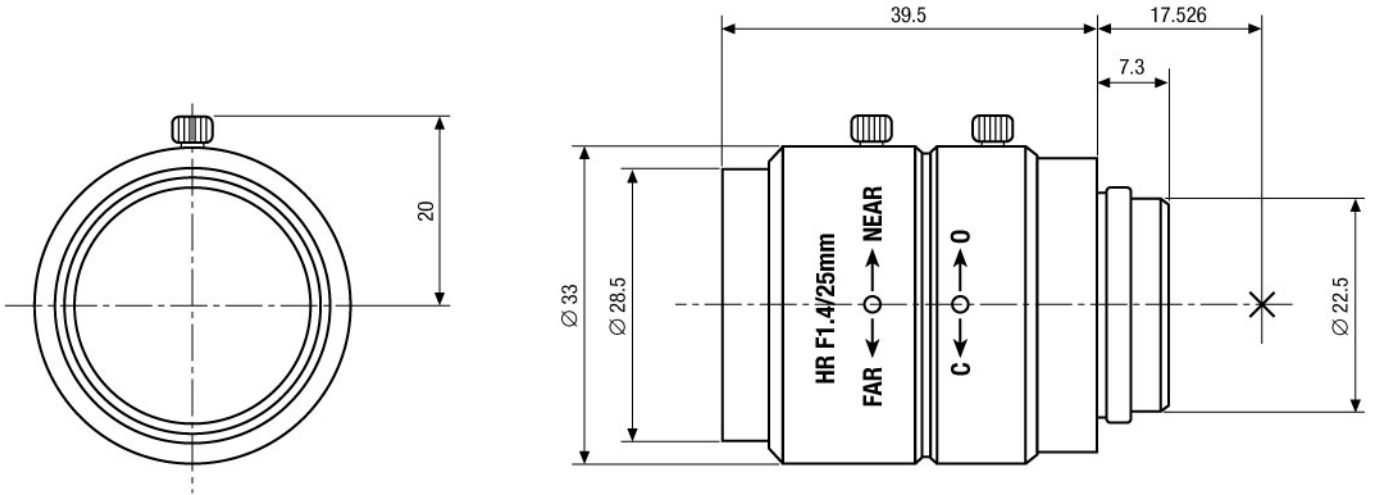
Features

For Megapixel Colour and B&W Cameras
 High Standard of Optical and Mechanical Quality
 For Use in Industrial and Security Sectors
 High Resolution and Contrast

Very low Distortion (-0.032%)
Locking Mechanism for Focus and Zoom
C Mount

Specifications

Focal length (f)	25 mm
Aperture range (F)	F1.4-16
Lens mount	C
Nominal format size	2/3"
Flange focal length	17.526mm
Horizontal angle of view at nominal format size	19.6°
Vertical angle of view at nominal format size	14.8°
Scene coverage	38.7x29mm (at 1/3" and M.O.D.)
Resolution at imager plane (LP/mm)	Center: 100; Corner: 80
Distortion	-0.04%
Exit pupil position	-80mm (from image plane)
Back focal distance	11.1mm (in air)
Minimum object distance (M.O.D.)	0.2m
Filter screw size	M27x0.5mm
Screw-in depth	7.3mm
Temperature range	-10° to +45°C
Dimensions (LxD)	See drawing
Weight	89g



Maße/Dimensions: mm