

# B1614MV-MP

Home | Imaging | Lenses | Fixed Focal Length

B1614MV-MP  
F1,4/16mm Tele Lens, High Resolution,  
2/3" C Mount

Art-Nr. 42003



## Main Features

For Megapixel Colour and B&W Cameras  
High Standard of Optical and Mechanical Quality  
For Use in Industrial and Security Sectors  
High Resolution and Contrast

Very low Distortion (-0.04%)  
Locking Mechanism for Focus and Zoom  
C Mount

## Specifications

Lens type	fixed focal length
Series	eneo 2/3" Megapixel
Application range	megapixel
Focal length	16 mm
Aspherical technology	no
Nominal format size	2/3"
Aperture range (F)	F1,4-16
Flange focal length	17.526mm
Aperture range (F)	F1.4 -F16
Back focal distance	13.1mm (in air)
Mount	C
Exit pupil position	340mm (from image plane)
Iris control	manual
Lens mount	Metal mount
MOD (Minimum object distance)	0,26 m

## B1614MV-MP

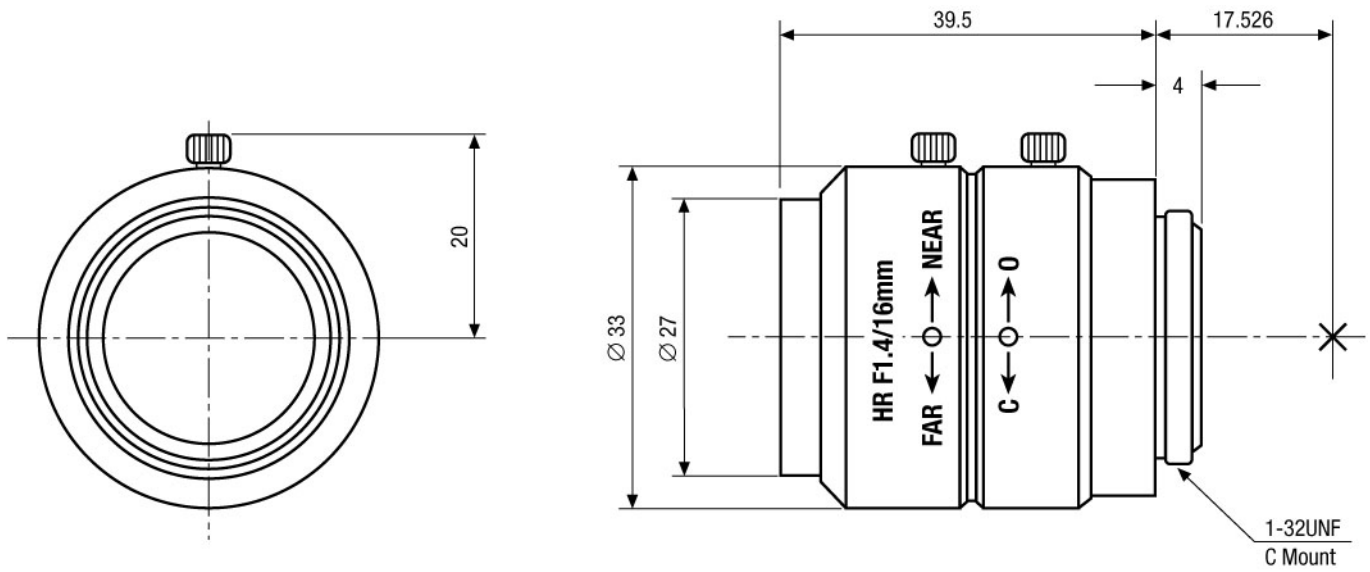
(Continuation Specifications)

<b>Filter screw size</b>	M25.5x0.5mm
<b>Horizontal angle of view</b>	30°
<b>Nominal format size</b>	2/3"
<b>Vertical angle of view at nominal format size</b>	22.7°
<b>Distortion</b>	-0.05%
<b>Scene coverage</b>	61.2x45.9mm (at 1/3" and M.O.D.)
<b>Screw-in depth</b>	4.0mm
<b>Weight</b>	81g
<b>Resolution at imager plane (LP/mm)</b>	Center: 100 Corner: 80
<b>Temperature range (Operation)</b>	-10°C ~+40°C
<b>Length</b>	39,5 mm
<b>Diameter</b>	33 mm

# B1614MV-MP

Home | Imaging | Lenses | Fixed Focal Length

## Technical drawing



Maße/Dimensions: mm