

Video Security



A08Z15NDDCPOIRS

F1.8/8-120mm DC Zoom Lens with IR-Cut Filter, 1/2" C Mount

Art-No. 40223



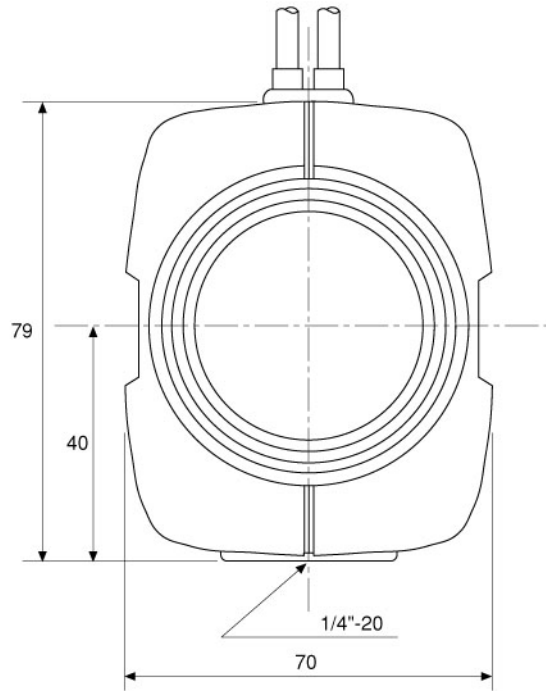
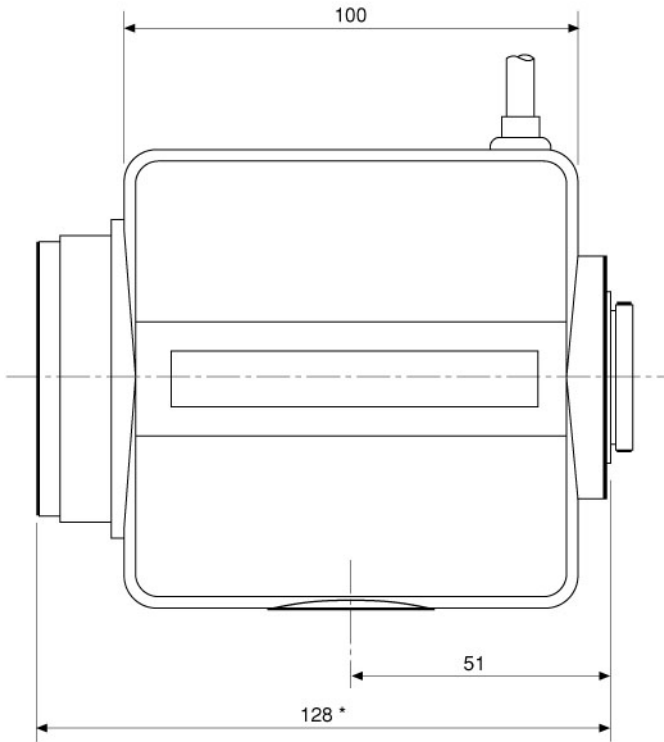
Features

Suitable for 1/2" and 1/3" Colour and B&W Cameras
With Integrated IR Cut Filter
C Mount
High Standard of Optical and Mechanical Quality

Quality Motors on Focus and Zoom
Without Built-in Auto Iris Amplifier
Potentiometers on Focus and Zoom
Adjustable Slip-ring Mount for Cable Positioning

Specifications

Nominal format size	1/2"
Focal length (f)	8-120 mm
Aperture range (F)	F1.8-F360
Iris control system	Galvanometer
Horizontal angle of view at nominal format size	43.6°-3°
Minimum object distance (M.O.D.)	1.2 m
Flange focal length	17.526 mm
Screw-in depth	4.0 mm
Filter screw size	M55x0.75 mm
Slip-ring mount	340°-360° Variable adjustment range
Cable length	>50 cm
Nominal voltage	+8 VDC +/-20%
Max. current consumption/motor (run)	30 mA
Response time	5 sec. (at 8 VDC)
Motor clutch on focus/zoom	Yes
Connection	Cable length: 20 cm with 4-pin DC plug
Temperature range	-10°C to +50°C
Weight	570 g
Special feature	Built-in IR cut filter



* Gemessen in Stellung/Length at: ∞

Maße/Dimensions: mm

VIDEOR TECHNICAL E. Hartig GmbH
 Carl-Zeiss-Straße 8 · 63322 Rödermark · Germany
 Telefon +49 (0) 60 74/8 88-0 · Telefax +49 (0) 60 74/8 88-100
 info@videortechnical.com · www.videortechnical.com

