

A08Z06NDDCPO

Home | Security | Lenses | Zoom

A08Z06NDDCPO
F1.2/8.5-51mm DC Motor Zoom Lens,
1/2" C Mount with Potentiometers

Art-Nr. 40229



Main Features

Suitable for 1/2" and 1/3" Colour and B&W Cameras
C Mount
DC Controlled Iris
High Standard of Optical and Mechanical Quality

Quality Motors on Focus and Zoom
Potentiometers on Focus and Zoom
Adjustable Slip-ring Mount for Cable Positioning

Specifications

| | |
|--------------------------------------|--------------------------|
| Lens type | Zoom with potentiometers |
| Aspherical technology | no |
| Nominal format size | 1/2" |
| Flange focal length | 17.526mm |
| Mount | C |
| Focal length | 8,5 mm - 51 mm |
| Horizontal angle of view | 40,8° - 7,1° |
| MOD (Minimum object distance) | 1,0 m |
| Aperture range (F) | F1.2~F360 |
| Iris control | DC |
| Screw-in depth | 8.0mm |
| Filter screw size | M46x0.75mm |
| Response time | approx. 6sec. (at 8VDC) |
| Supply voltage range | 8.0VDC +/-20% |
| Max. current consumption/motor (run) | 25mA |

A08Z06NDDCPO

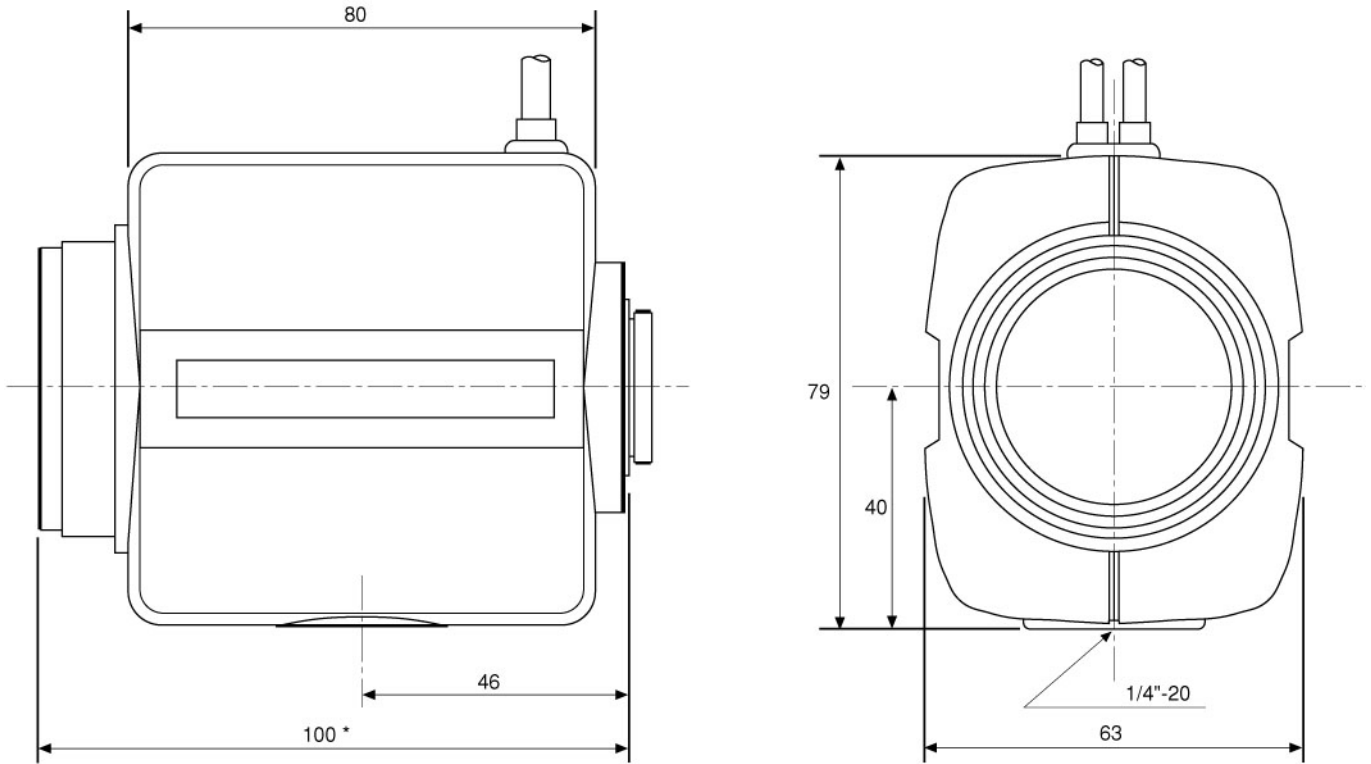
(Continuation Specifications)

| | |
|--|---------------|
| Motor clutch on focus/zoom | Yes |
| Potentiometer on focus and zoom | Available |
| Cable length | >50cm |
| Connection | 4 pin DC plug |
| Temperature range (Operation) | -10° ~+50°C |
| Length | 100 mm |
| Width | 63 mm |
| Height | 79 mm |
| Weight | 420g |

A08Z06NDDCPO

Home | Security | Lenses | Zoom

Technical drawing



* Gemessen in Stellung/Length at: ∞

Maße/Dimensions: mm