

Video Security



A08Z06NDDC

F1,2/8,5-51mm DC Motor Zoom Lens,
1/2", C Mount

Art-No. 40228



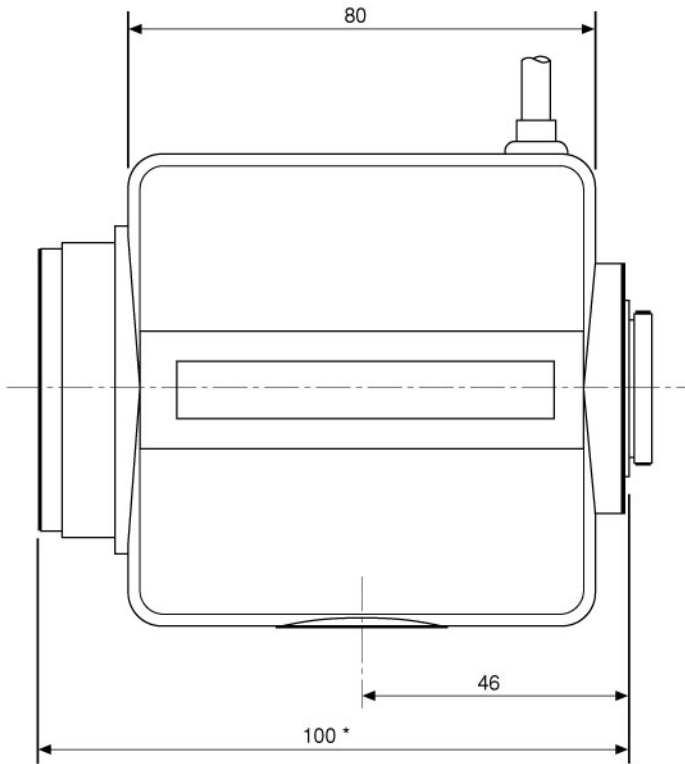
Features

Suitable for 1/2" and 1/3" Colour and B&W Cameras
C Mount
DC Controlled Iris
Lens Design Exclusive for Motorization

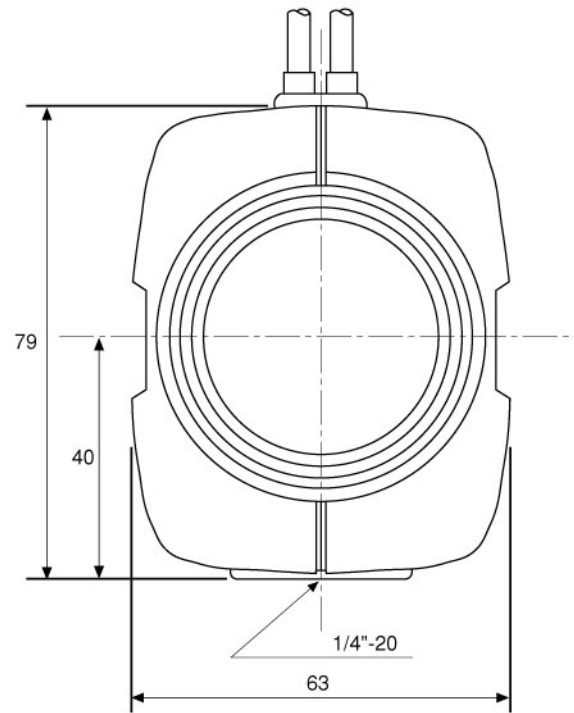
High Standard of Optical and Mechanical Quality
Quality Motors on Focus and Zoom
Adjustable Slip-ring Mount for Cable Positioning
4-pin Connector for DC Iris Control

Specifications

Nominal format size	1/2"
Focal length (f)	8.5-51 mm
Aperture range (F)	F1.2-F360
Iris control system	Galvanometer
Horizontal angle of view at nominal format size	40.8°-7.1°
Minimum object distance (M.O.D.)	1.0 m
Flange focal length	17.526 mm
Screw-in depth	8.0 mm
Filter screw size	M46x0.75 mm
Slip-ring mount	340°-360° Variable adjustment range
Cable length	>50 cm
Nominal voltage	8.0 VDC +/-20 %
Max. current consumption/motor (run)	25 mA
Response time	Approx. 6 sec. (at 8 V)
Motor clutch on focus/zoom	Yes
Connection	Cable length: 20 cm, with 4-pin DC plug
Lens mount	C
Temperature range	-10°C to +50°C
Dimensions (HxWxD)	See drawing
Weight	400 g



* Gemessen in Stellung/Length at: ∞



Maße/Dimensions: mm